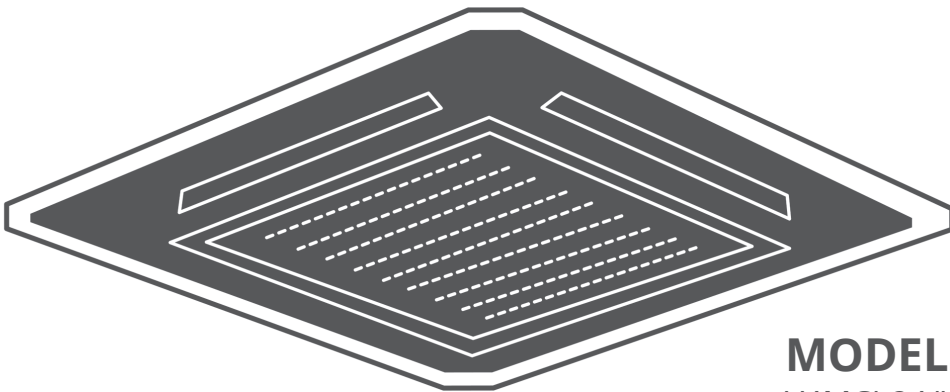




AIR CONDITIONING SYSTEMS CASSETTE TYPE

- **USER'S MANUAL**
- **ΕΓΧΕΙΡΙΔΙΟ ΧΡΗΣΗΣ**
- **MANUAL UTILIZATORULUI**



MODELS:

V4MCI-24/U4MRS-24 | V4MCI-36/U4MRS-36
V4MCI-42/U4MRT-42 | V4MCI-50/U4MRT-50
V4MCI-60/U4MRT-60



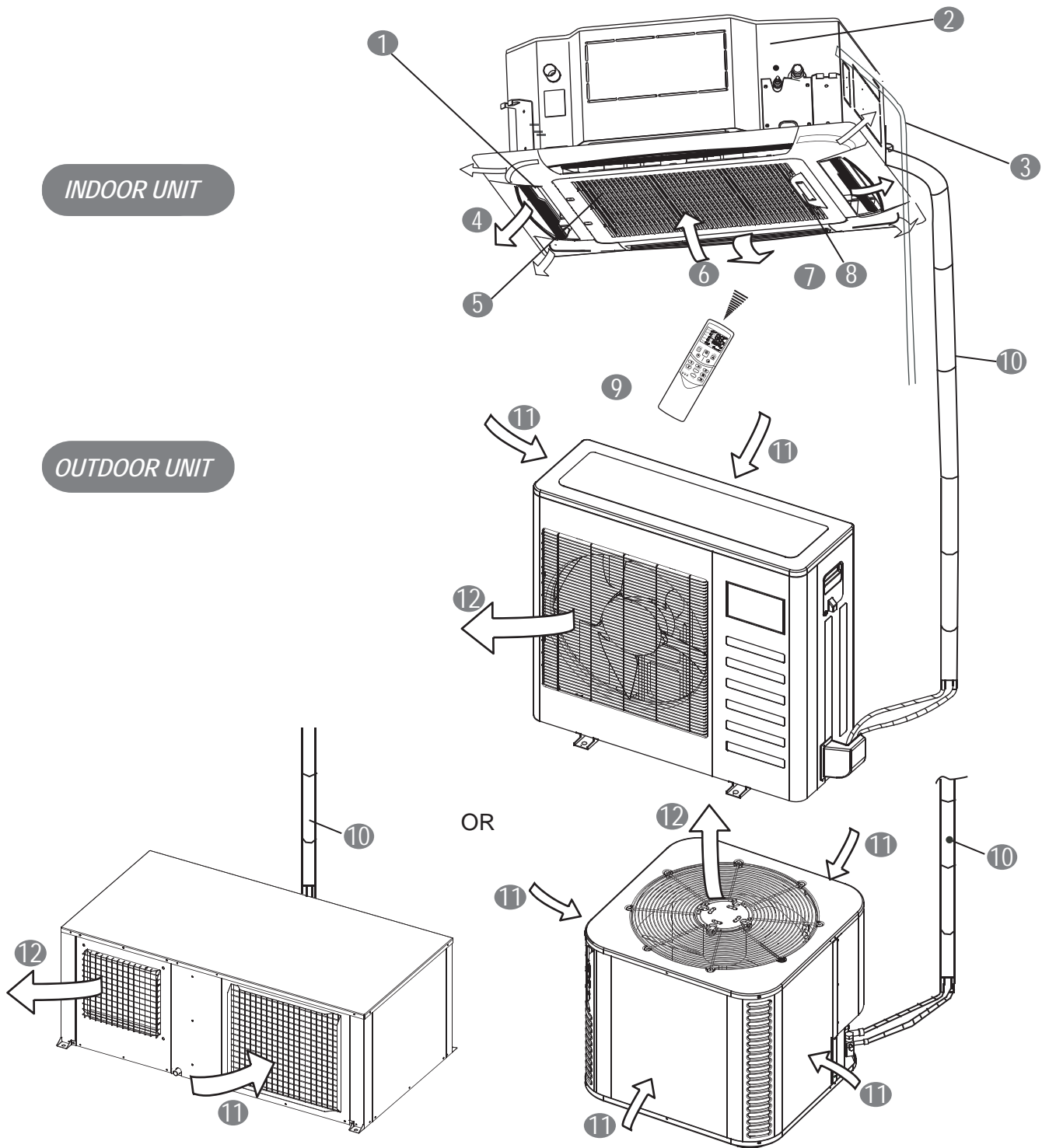


Fig.1

- | | | | |
|---|--|---|-------------------|
| ① | Air flow louver(at air outlet) | ⑦ | Air-in grill |
| ② | Drain pump(drain water from indoor unit) | ⑧ | Display panel |
| ③ | Drain pipe | ⑨ | Remote controller |
| ④ | Air outlet | ⑩ | Refrigerant pipe |
| ⑤ | Air filter(inside air-in grill) | ⑪ | Air inlet |
| ⑥ | Air inlet | ⑫ | Air outlet |



NOTE

All the pictures in this manual are for explanation purpose only. They may be slightly different from the air conditioner you purchased(depend on model).The actual shape shall prevail.

CONTENTS

PAGE

1.IMPORTANT SAFETY INFORMATION.....	1
2.PARTS NAMES.....	2
3.AIR CONDITIONER OPENRATIONS AND PERFORMANCE.....	3
4.HINTS FOR ECONOMICAL OPERATION.....	3
5.ADJUSTING AIR FLOW DIRECTION.....	3
6.MAINTENANCE.....	4
7.FOLLOWING SYMPTOMS ARE NOT AIR CONDITIONER TROUBLES.....	5
8.TROUBLESHOOTING.....	5

1. IMPORTANT SAFETY INFORMATION

To prevent injury to the user or other people and property damage, the following instructions must be followed. Incorrect operation due to ignoring of instructions may cause harm or damage.

The safety precautions listed are divided into two categories. In either case, important safety information is listed which must be read carefully.



WARNING

Failure to observe a warning may result in death. The appliance shall be installed in accordance with national wiring regulations.



CAUTION

Failure to observe a caution may result in injury or damage to the equipment.



WARNING

Ask your dealer for installation of the air conditioner.

Incomplete installation performed by yourself may result in a water leakage, electric shock, and fire.

Ask your dealer for improvement, repair, and maintenance.

Incomplete improvement, repair, and maintenance may result in a water leakage, electric shock, and fire.

In order to avoid electric shock, fire or injury, or if you detect any abnormality such as smell of fire, turn off the power supply and call your dealer for instructions.

Never let the indoor unit or the remote controller get wet.

It may cause an electric shock or a fire.

Never press the button of the remote controller with a hard, pointed object.

The remote controller may be damaged.

Never replace a fuse with that of wrong rated current or other wires when a fuse blows out.

Use of wire or copper wire may cause the unit to break down or cause a fire.

It is not good for your health to expose your body to the air flow for a long time.

Do not insert fingers, rods or other objects into the air inlet or outlet.

When the fan is rotating at high speed, it will cause injury.

Never use a flammable spray such as hair spray, lacquer or paint near the unit.

It may cause a fire.

Never touch the air outlet or the horizontal blades while the swing flap is in operation.

Fingers may become caught or the unit may break down.

Never put any objects into the air inlet or outlet.

Objects touching the fan at high speed can be dangerous.

Never inspect or service the unit by yourself.

Ask a qualified service person to perform this work.

Do not dispose this product as unsorted municipal waste. Collection of such waste separately for special treatment is necessary.

Do not dispose of electrical appliances as unsorted municipal waste, use separate collection facilities.

Contact you local government for information regarding the connection systems available.

If electrical appliances are disposed of in landfills or dumps, hazardous substances can leak into the groundwater and get into the food chain, damaging your health and well-being.

To prevent refrigerant leak, contact your dealer.

When the system is installed and runs in a small room, it is required to keep the concentration of the refrigerant, if by any chance coming out, below the limit. Otherwise, oxygen in the room may be affected, resulting in a serious accident.

The refrigerant in the air conditioner is safe and normally does not leak.

If the refrigerant leaks in the room, contact with a fire of a burner, a heater or a cooker may result in a harmful gas.

Turn off any combustible heating devices, ventilate the room, and contact the dealer where you purchased the unit.

Do not use the air conditioner until a service person confirms that the portion where the refrigerant leaks is repaired.



CAUTION

Do not use the air conditioner for other purposes.

In order to avoid any quality deterioration, do not use the unit for cooling precision instruments, food, plants, animals or works of art.

Before cleaning, be sure to stop the operation, turn the breaker off or pull out the supply cord.

Otherwise, an electric shock and injury may result.

In order to avoid electric shock or fire, make sure that an earth leak detector is installed.

Be sure the air conditioner is grounded.

In order to avoid electric shock, make sure that the unit is grounded and that the earth wire is not connected to gas or water pipe, lightning conductor or telephone earth wire.

In order to avoid injury, do not remove the fan guard of the outdoor unit.

Do not operate the air conditioner with a wet hand.
An electric shock may happen.

Do not touch the heat exchanger fins.
These fins are sharp and could result in cutting injuries.

Do not place items which might be damaged by moisture under the indoor unit.
Condensation may form if the humidity is above 80%, the drain outlet is blocked or the filter is polluted.

After a long use, check the unit stand and fitting for damage.
If damaged, the unit may fall and result in injury.

To avoid oxygen deficiency, ventilate the room sufficiently if equipment with burner is used together with the air conditioner.

Arrange the drain hose to ensure smooth drainage.
Incomplete drainage may cause wetting of the building, furniture etc.

Never touch the internal parts of the controller.
Do not remove the front panel. Some parts inside are dangerous to touch, and a machine trouble may happen.

Never expose little children, plants or animals directly to the air flow.
Adverse influence to little children, animals and plants may result.

Do not allow a child to mount on the outdoor unit or avoid placing any object on it.
Falling or tumbling may result in injury.

Do not operate the air conditioner when using a room fumigation - type insecticide.
Failure to observe could cause the chemicals to become deposited in the unit, which could endanger the health of those who are hypersensitive to chemicals.

Do not place appliances which produce open fire in places exposed to the air flow from the unit or under the indoor unit.
It may cause incomplete combustion or deformation of the unit due to the heat.

Do not install the air conditioner at any place where flammable gas may leak out.
If the gas leaks out and stays around the air conditioner, a fire may break out.

The appliance is not intended for use by young children or infirm persons without supervision.

This appliance can be used by children aged from 8 years and above and persons with reduced physical, sensory or mental capabilities or lack of experience and knowledge if they have been given supervision or instruction concerning use of the appliance in a safe way and understand the hazards involved. Children shall not play with the appliance. Cleaning and user maintenance shall not be made by children without supervision.

This appliance is not intended for use by persons (including children) with reduced physical, sensory or mental capabilities, or lack of experience and knowledge, unless they have been given supervision or instruction concerning use of the appliance by a person responsible for their safety.

Children should be supervised to ensure that they do not play with the appliance.

If the supply cord is damaged, it must be replaced by the manufacturer, its service agent or similarly qualified persons in order to avoid a hazard.

Do not operate your air conditioner in a wet room such as a bathroom or laundry room.

2. PARTS NAMES

The air conditioner consists of the indoor unit, the outdoor unit, the connecting pipe and the remote controller. (See Fig.2)

■ Function indicators on indoor unit display panel

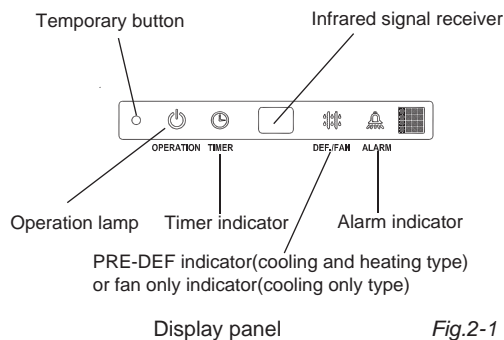


Fig.2-1

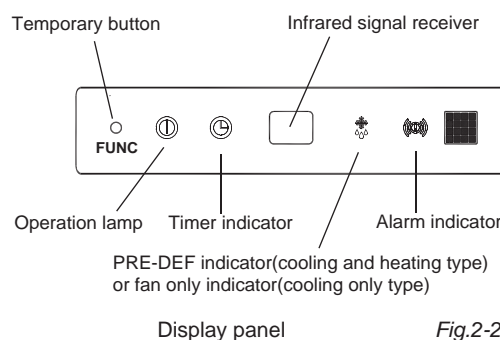


Fig.2-2

This function is used to operate the unit temporarily in case you misplace the remote controller or its batteries are exhausted. Two modes including AUTO and FORCED COOL can be selected through the TEMPORARY BUTTON on the air-in grill control box of the indoor unit. Once you push this button, the air conditioner will run in such order: AUTO, FORCED COOL, OFF, and back to AUTO.

- 1 AUTO
The OPERATION lamp is lit, and the air conditioner will run under AUTO mode. The remote controller operation is enabled to operate according to the received signal.
- 2 FORCED COOL
The OPERATION lamp flashes, the air conditioner will turn to AUTO after it is enforced to cool with a wind speed of HIGH for 30 minutes. The remote controller operation is disabled.
- 3 OFF
The OPERATION lamp goes off. The air conditioner is OFF while the remote controller operation is enabled.



NOTE

This manual does not include Remote Controller Operations, see the<<Remote Controller Owner's manual>> packed with the unit for details.

3. AIR CONDITIONER OPERATIONS AND PERFORMANCE

Use the system in the following temperature for safe and effective operation. The Max operation temperature for the air conditioner (Cooling/Heating).

Table 3-1

Mode \ Temperature	Outdoor temperature	Room temperature
Cooling operation	0°C ~ 50°C / 32 °F~122°F	17°C ~ 32°C (62 °F ~ 90°F)
	-15°C ~ 50°C / 5 °F~122°F (for the models with low temperature cooling system)	
Heating operation (cooling only type without)	-15°C ~ 24°C / 5 °F~76°F	0°C ~ 30°C / 32 °F~86°F
Dry operation	0°C ~ 50°C / 32 °F~122°F	17°C ~ 32°C (62 °F ~ 90°F)



NOTE

- 1 If air conditioner is used outside the above conditions, it may cause the unit to function abnormally.
- 2 The phenomenon is normal that the surface of air conditioning may condense water when the relative larger humidity in room, please close the door and window.
- 3 Optimum performance will be achieved within these operating temperature range.

■ Three-minute protection feature

A protection feature prevents the air conditioner from being activated for approximately 3 minutes when it restarts immediately after operation.

■ Auto-restart function

- Power failure during operation will stop the unit completely.
- When the power restores, the OPERATION indicator on the indoor unit starts flashing. For the unit without Auto-restart feature, to restart the operation, push the ON/OFF button on the remote controller. For the unit with Auto-restart feature, the unit restarts automatically with all the previous settings preserved by the memory function.

■ Refrigerant Leakage Detection(optional):

With this new technology, the display area will appear 'EC' (if applicable) and the LED indication lamps continue flashing when the outdoor unit detects refrigerant leakage.

■ Louver Angle Memory Function(optional):

For some models, the machine is special designed with louver angle memory function. Power failure during operation or pressing the ON/OFF button on the remote controller will stop the unit completely. When the power restores or pressing the ON/OFF button on the remote controller again, the unit restarts automatically with the previous open angle of the horizontal louver by the memory function. So we strongly recommend that the open angle of the horizontal louver should not be set too small, in case the condensed water forms and drops from the horizontal louver. Press the Manual control button and the open angle of the horizontal louver will be restored to the standard angle.

4. HINTS FOR ECONOMICAL OPERATION

The following should be noticed to ensure an economical operation.

- Adjust the air flow louver properly and avoid direct air flow to room inhabitants.
- Adjust the room temperature properly for a comfortable environment. Avoid excessive heating or cooling.
- Prevent direct sunlight during cooling operation by using curtains or blinds.
- Ventilate often. Extended use requires special attention to ventilation.
- Keep doors and windows closed. If the doors and windows remain open, air will flow out of your room causing a decrease in the cooling or heating effect.
- Never place objects near the air inlet or the air outlet of the unit. It may cause deterioration in the effect or stop the operation.
- Set the timer .
- If you don't plan to use the unit for a long time, please take the batteries from the remote controller. When the power is on, some energy will be consumed, even if the air conditioner isn't in operation. So please disconnect the power to save energy.
- Keep the indoor unit and remote controller at least 1 m away from televisions, radios, stereos, and other similar equipment. Failing to do so may cause static or distorted pictures.
- A dirty air filter will reduce cooling or heating efficiency, please clean it once two weeks.

5. ADJUSTING AIR FLOW DIRECTION

While the unit is in operation, you can adjust the air flow louver to change the flow direction and naturalize the room temperature evenly. Thus you can enjoy it more comfortably.

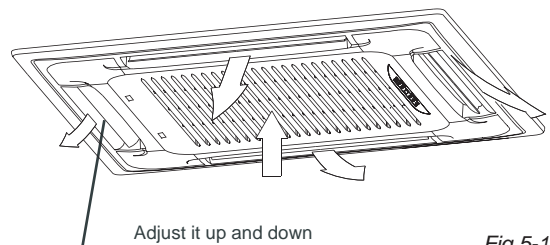


Fig 5-1

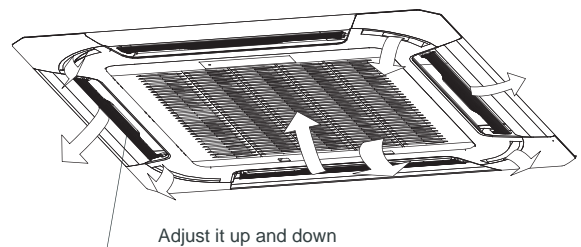


Fig 5-2

■ Set the air flow direction.

Press the SWING button to adjust the louver to the desired position and press this button again to maintain the louver at this position.

■ Adjust the air flow direction automatically.

Press the SWING button, the louver will swing automatically. While this function is set, the swing fan of indoor unit runs; otherwise, the swing fan doesn't run. The swing scale of every side is 30°. When the air conditioner isn't in operation (including when TIMER ON is set), the SWING button will be invalid.

6. MAINTENANCE



CAUTION

Before you clean the air conditioner, be sure the power supply is off.

Check if the wiring is not broken off or disconnected.

Use a dry cloth to wipe the indoor unit and remote controller.

A wet cloth may be used to clean the indoor unit if it is very dirty.

Never use a damp cloth on the remote controller.

Do not use a chemically-treated duster for wiping or leave such material on the unit for long. it may damage or fade the surface of the unit.

Do not use benzene, thinner, polishing powder, or similar solvents for cleaning.

These may cause the plastic surface to crack or deform.

■ Maintenance after a long stop period

(eg. at the beginning of the season)

Check and remove everything that might be blocking inlet and outlet vents of indoor units and outdoor units.

Clean air filters and casings of indoor units.

Refer to "Cleaning the air filter" for details on how to proceed and make sure to install cleaned air filters back in the same position.

Turn on the power at least 12 hours before operating the unit in order to ensure smoother operation. As soon as the power is turned on, the remote controller displays appear.

■ Maintenance before a long stop period

(eg. at the end of the season)

Let the indoor units run in fan only operation for about half a day in order to dry the interior of the units.

Clean air filters and casings of indoor units. Refer to "Cleaning the air filter" for details on how to proceed and make sure to install cleaned air filters back in the same position.

■ Cleaning the air filter

The air filter can prevent the dust or other particulate from going inside. In case of blockage of the filter, the working efficiency of the air conditioner may greatly decrease.

Therefore, the filter must be cleaned once two weeks during long time usage.

If the air conditioner is installed in a dust place, clean the air filter frequent.

If the accumulated dust is too heavy to be cleaned, please replace the filter with a new one (replaceable air filter is an optional fitting).

The filter cleaning should be performed by a suitable service provider.

1 Open the air-in grill

Push the grill switches towards the middle simultaneously as indicated in Fig.6-1. Then pull down the air-in grill.

The control box cables, which are originally connected with the main body electrical terminators must be pulled off before doing as indicated above.

2 Take out the air-in grill (together with the air filter shown in Fig.6-1).

Pull the air-in grill down at 45° and lift it up to take out the grill.

3 Dismantle the air filter.

4 Clean the air filter

Vacuum cleaner or pure water may be used to clean the air filter. If the dust accumulation is too heavy, please use soft brush and mild detergent to clean it and dry out in cool place.

- The air-in side should face up when using vacuum cleaner. (See Fig. 6-3)
- The air-in side should face down when using water. (See Fig. 6-4)



CAUTION

Do not dry out the air filter under direct sunshine or with fire.

5 Re-install the air filter.

6 Install and close the air-in grill in the reverse order of step 1 and 2 and connect the control box cables to the corresponding terminators of the main body.

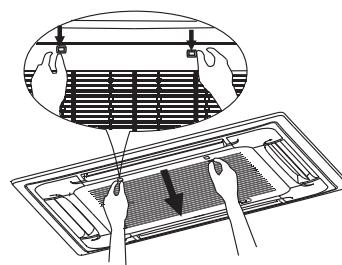


Fig.6-1

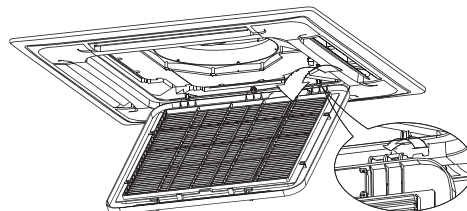


Fig.6-2

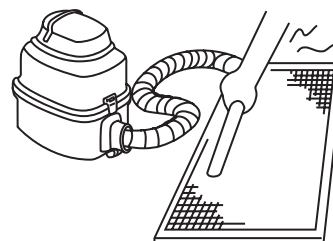


Fig.6-3

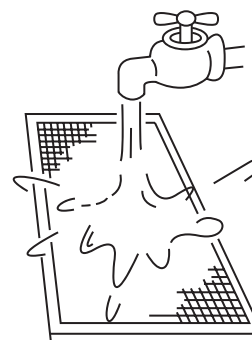


Fig.6-4

7. FOLLOWING SYMPTOMS ARE NOT AIR CONDITIONER TROUBLES

Symptom 1: The system does not operate

- The air conditioner does not start immediately after the ON/OFF button on the remote controller is pressed.
If the operation lamp lights, the system is in normal condition. To prevent overloading of the compressor motor, the air conditioner starts 3 minutes after it is turned ON.
- If the operation lamp and the "PRE-DEF indicator (cooling and heating type) or fan only indicator (cooling only type)" light, it means you choose the heating model. When just starting, if the compressor has not started, the indoor unit appears "anti cold wind" protection because of its overflow outlet temperature.

Symptom 2: Change into the fan mode during cooling mode

- In order to prevent the indoor evaporator frosting, the system will change into fan mode automatically, restore to the cooling mode after soon.
- When the room temperature drops to the set temperature, the compressor goes off and the indoor unit changes to fan mode; when the temperature rises up, the compressor starts again. It is same in the heating mode.

Symptom 3: White mist comes out of a unit

Symptom 3.1: Indoor unit

When humidity is high during cooling operation. If the interior of an indoor unit is extremely contaminated, the temperature distribution inside a room becomes uneven. It is necessary to clean the interior of the indoor unit. Ask your dealer for details on cleaning the unit. This operation requires a qualified service person.

Symptom 3.2: Indoor unit, outdoor unit

- When humidity is high during cooling operation. If the interior of an indoor unit is extremely contaminated, the temperature distribution inside a room becomes uneven. It is necessary to clean the interior of the indoor unit. Ask your dealer for details on cleaning the unit. This operation requires a qualified service person.
- When the system is changed over to heating operation after defrost operation. Moisture generated by defrost becomes steam and is exhausted.

Symptom 4: Noise of air conditioners cooling

Symptom 4.1: Indoor unit

- A continuous low "shah" sound is heard when the system is in cooling operation or at a stop.
When the drain pump (optional accessories) is in operation, this noise is heard.
- A "pishi-pishi" squeaking sound is heard when the system stops after heating operation.
Expansion and contraction of plastic parts caused by temperature change make this noise.

Symptom 4.2: Indoor unit, outdoor unit

- A continuous low hissing sound is heard when the system is in operation.
This is the sound of refrigerant gas flowing through both indoor and outdoor units.

A continuous low hissing sound is heard when the system is in operation.

This is the sound of refrigerant gas flowing through both indoor and outdoor units.

- A hissing sound which is heard at the start or immediately after stopping operation or defrost operation.
This is the noise of refrigerant caused by flow stop or flow change.

Symptom 4.3: Outdoor unit

- When the tone of operating noise changes.
This noise is caused by the change of frequency.

Symptom 5: Dust comes out of the unit

- When the unit is used for the first time in a long time.
This is because dust has gotten into the unit.

Symptom 6: The units can give off odours

- The unit can absorb the smell of rooms, furniture, cigarettes, etc., and then emit it again.

Symptom 7: The outdoor unit fan does not spin.

- During operation. The speed of the fan is controlled in order to optimize product operation.

8. TROUBLESHOOTING

8.1 Troubles and causes of air conditioner

If one of the following malfunctions occur, stop operation, shut off the power, and contact with your dealer.

- The operation lamp is flashing rapidly (5Hz).
This lamp is still flashing rapidly after turn off the power and turn on again. (See in Table 8-1)
- Remote controller receives malfunction or the button does not work well.
- A safety device such as a fuse, a breaker frequently actuates.
- Obstacles and water enter the unit.
- Water leaks from indoor unit.
- Other malfunctions.

If the system does not properly operate except the above mentioned cases or the above mentioned malfunctions is evident, investigate the system according to the following procedures. (See in Table 8-2)

8.2 Troubles and causes of remote controller

Before asking for serving or repairing, check the following points. (See in Table 8-3)

Table 8-1

NO.	Malfunction	display (nixie tube)	timer lamp	running lamp (flashes per second)
1	Indoor EEPROM error	E0	OFF	1
2	Communication malfunction between indoor and outdoor units	E1	OFF	2
3	Indoor fan speed malfunction	E3	OFF	4
4	Indoor room temperature sensor open circuit or short circuit	E4	OFF	5
5	Evaporator coil temperature sensor open circuit or short circuit	E5	OFF	6
6	Refrigerant leakage detection malfunction	EC	OFF	7
7	Water-level alarm malfunction	EE	OFF	8
8	Communication malfunction between two indoor units (for twins model)	E8	OFF	9
9	Other malfunction of twins model	E9	OFF	10
10	Current overload protection	F0	ON	1
11	Outdoor room temperature sensor open circuit or short circuit	F1	ON	2
12	Outdoor condenser pipe temperature sensor error	F2	ON	3
13	Discharging air temperature sensor error	F3	ON	4
14	Outdoor EEPROM error	F4	ON	5
15	Outdoor fan speed malfunction (Only for DC fan motor)	F5	ON	6
16	T2b sensor error	F6	ON	7
17	Lifting panel communication checking channel is abnormal	F7	ON	8
18	Lifting panel malfunction	F8	ON	9
19	Lifting panel is not closed	F9	ON	10
20	Inverter module IPM protection	P0	Flash	1
21	High/Low voltage protection	P1	Flash	2
22	High temperature protection of compressor top	P2	Flash	3
23	Outdoor low temp. protection	P3	Flash	4
24	Compressor drive error	P4	Flash	5
25	Mode conflict	P5	Flash	6

Table 8-2

Symptoms	Causes	Solution
Unit does not start	<ul style="list-style-type: none"> Power failure. Power switch is off. Fuse of power switch may have burned. Batteries of remote controller exhausted or other problem of controller. 	<ul style="list-style-type: none"> Wait for the comeback of power. Switch on the power. Replace the fuse. Replace the batteries or check the controller.
Air flowing normally but completely can't cooling	<ul style="list-style-type: none"> Temperature is not set correctly. Be in 3 minutes protection of compressor. 	<ul style="list-style-type: none"> Set the temperature properly. Wait.
Units start or stop frequently	<ul style="list-style-type: none"> Refrigerant is too little or too much. Air or no concreting gas in the refrigerating circuit. Compressor is malfunction. Voltage is too high or too low. System circuit is blocked. 	<ul style="list-style-type: none"> Check leakage, and rightly recharge refrigerant. Vacuum and recharge refrigerant. Maintenance or change compressor. Install manostat.
Low cooling effect	<ul style="list-style-type: none"> Outdoor unit and indoor unit heat exchanger is dirty. The air filter is dirty. Inlet/outlet of indoor/outdoor units is blocked. Doors and windows are open Sunlight directly shine. Too much heat resource. Outdoor temp. is too high. Leakage of refrigerant or lack of refrigerant. 	<ul style="list-style-type: none"> Find reasons and solution. Clean the heat exchanger. Clean the air filter. Eliminate all dirties and make air smooth. Close doors and windows. Make curtains in order to shelter from sunshine. Reduce heat source. AC cooling capacity reduces (normal).
Low heating effect	<ul style="list-style-type: none"> Outdoor temperature is lower than 7°C . Doors and windows not completely closed. Leakage of refrigerant or lack of refrigerant. 	<ul style="list-style-type: none"> Check leakage and rightly recharge refrigerant. Use heating device. Close doors and windows. Check leakage and rightly recharge refrigerant.

Table 8-3

Symptoms	Causes	Solution
The fan speed can not be changed.	<ul style="list-style-type: none"> Check whether the MODE indicated on the display is "AUTO" 	When the automatic mode is selected, the air conditioner will automatically change the fan speed.
	<ul style="list-style-type: none"> Check whether the MODE indicated on the display is "DRY" 	When dry operation is selected, the air conditioner automatically change the fan speed. The fan speed can be selected during "COOL", "FAN ONLY", and "HEAT".
The remote controller signal is not transmitted even when the ON/OFF button is pushed.	<ul style="list-style-type: none"> Check whether the batteries in the remote controller are exhausted. 	The power supply is off.
The TEMP. indicator does not come on.	<ul style="list-style-type: none"> Check whether the MODE indicated on the display is FAN ONLY 	The temperature cannot be set during FAN mode.
The indication on the display disappears after a lapse of time.	<ul style="list-style-type: none"> Check whether the timer operation has come to an end when the TIMER OFF is indicated on the display. 	The air conditioner operation will stop up to the set time.
The TIMER ON indicator goes off after a lapse of certain time.	<ul style="list-style-type: none"> Check whether the timer operation is started when the TIMER ON is indicated on the display. 	Up to the set time, the air conditioner will automatically start and the appropriate indicator will go off.
No receiving tone sounds from the indoor unit even when the ON/OFF button is pressed.	<ul style="list-style-type: none"> Check whether the signal transmitter of the remote controller is properly directed to the infrared signal receiver of the indoor unit when the ON/OFF button is pressed. 	Directly transmit the signal transmitter of the remote controller to the infrared signal receiver of the indoor unit, and then repeatedly push the ON/OFF button twice.

Activate your warranty.....

in **5**
simple
steps!



Scan here for the
warranty form

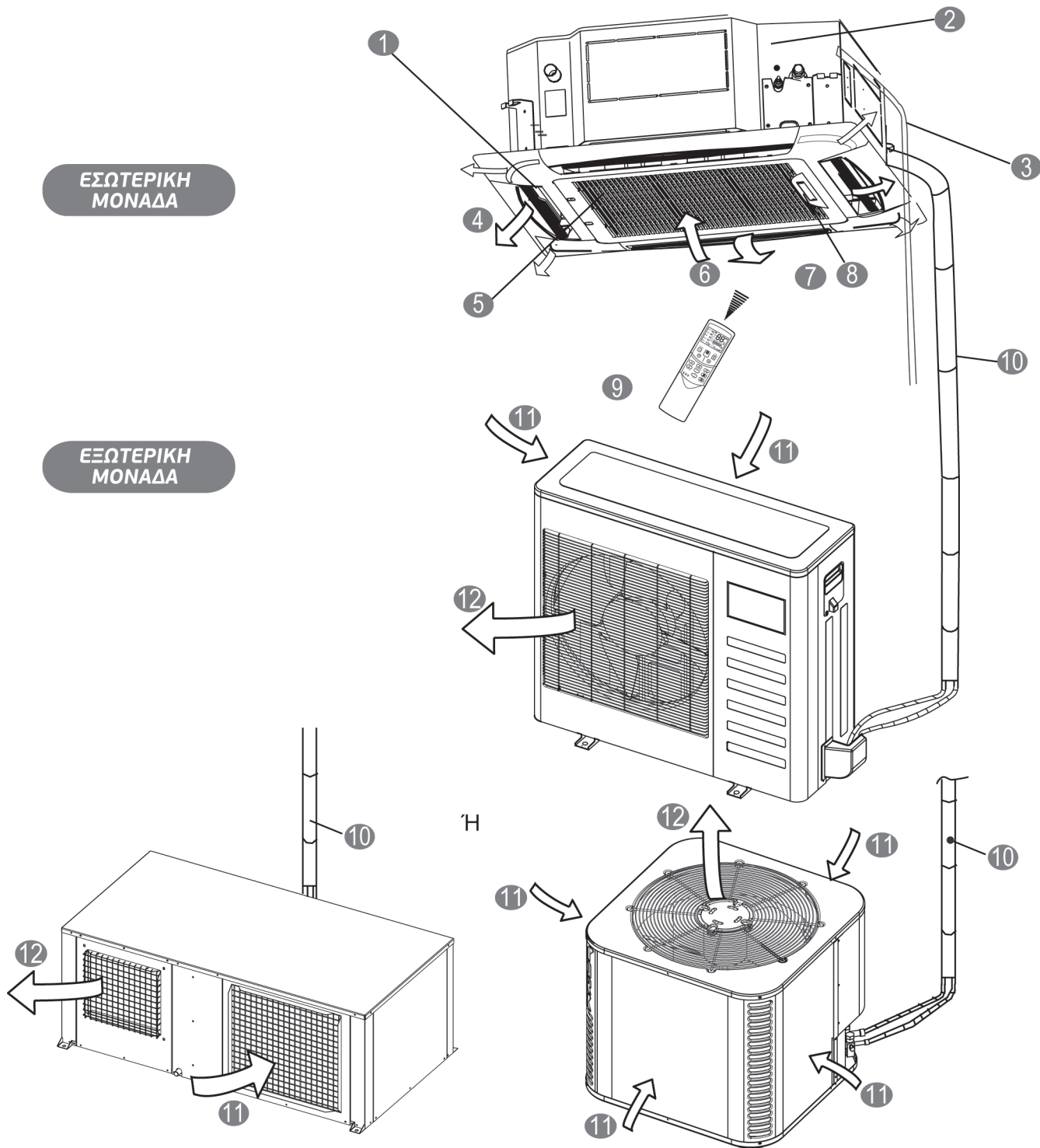
- 1** Connect to the following link
<http://www.inventorairconditioner.com/warranty-inventor/>
- 2** Select the product type
(airconditioner or appliance) for
which the warranty will be activated
- 3** Choose the warranty that
corresponds to the product
in your possession
- 4** Fill in the required information
(owner, retailer and appliance)
and press send
- 5** You will receive a confirmation
e-mail for the activation of
your warranty

For the electronic
warranty submission
please type the following link

<http://www.inventorairconditioner.com/warranty-inventor>

ΕΣΩΤΕΡΙΚΗ ΜΟΝΑΔΑ

ΕΞΩΤΕΡΙΚΗ ΜΟΝΑΔΑ



ΕΙΚ. 1

- 1 ΠΕΡΣΙΔΕΣ ΑΕΡΑ (ΕΞΑΓΩΓΗ ΑΕΡΑ)
- 2 ΑΝΤΛΙΑ ΑΠΟΣΤΡΑΓΓΙΣΗΣ
(αποστράγγιση νερού από την εσωτερική μονάδα)
- 3 ΑΓΩΓΟΣ ΑΠΟΣΤΡΑΓΓΙΣΗΣ
- 4 ΕΞΑΓΩΓΗ ΑΕΡΑ
- 5 ΦΙΛΤΡΟ ΑΕΡΑ (ΣΤΗΝ ΕΙΣΑΓΩΓΗ ΑΕΡΑ)
- 6 ΕΙΣΑΓΩΓΗ ΑΕΡΑ

- 7 ΠΛΕΓΜΑ ΕΙΣΑΓΩΓΗΣ ΑΕΡΑ
- 8 ΟΘΟΝΗ
- 9 ΤΗΛΕΧΕΙΡΙΣΤΗΡΙΟ
- 10 ΣΩΛΗΝΑ ΨΥΚΤΙΚΟΥ ΥΓΡΟΥ
- 11 ΕΙΣΑΓΩΓΗ ΑΕΡΑ
- 12 ΕΞΑΓΩΓΗ ΑΕΡΑ



ΣΗΜΕΙΩΣΗ

Όλες οι εικόνες του εγχειριδίου έχουν επεξηγηματικό σκοπό. Μπορεί να υπάρχουν διαφορές με το κλιματιστικό που αγοράσατε (εξαρτάται από το μοντέλο). Ισχύει το πραγματικό σχήμα.

ΠΕΡΙΕΧΟΜΕΝΑ

1. ΣΗΜΑΝΤΙΚΕΣ ΟΔΗΓΙΕΣ ΑΣΦΑΛΕΙΑΣ.....	1
2. ΟΝΟΜΑΤΟΛΟΓΙΑ ΕΞΑΡΤΗΜΑΤΩΝ.....	2
3. ΛΕΙΤΟΥΡΓΙΕΣ ΚΑΙ ΑΠΟΔΟΣΗ ΚΛΙΜΑΤΙΣΤΙΚΟΥ.....	3
4. ΣΥΜΒΟΥΛΕΣ ΓΙΑ ΟΙΚΟΝΟΜΙΚΗ ΛΕΙΤΟΥΡΓΙΑ.....	3
5. ΠΡΟΣΑΡΜΟΓΗ ΚΑΤΕΥΘΥΝΣΗΣ ΑΕΡΑ.....	3
6. ΣΥΝΤΗΡΗΣΗ.....	4
7. ΦΑΙΝΟΜΕΝΑ ΠΟΥ ΔΕΝ ΕΙΝΑΙ ΒΛΑΒΕΣ ΤΟΥ ΚΛΙΜΑΤΙΣΤΙΚΟΥ.....	5
8. ΑΝΙΧΝΕΥΣΗ ΒΛΑΒΩΝ.....	5

1. ΣΗΜΑΝΤΙΚΕΣ ΟΔΗΓΙΕΣ ΑΣΦΑΛΕΙΑΣ

Για την αποφυγή τραυματισμού του χρήστη ή τρίτων και την αποφυγή πρόκλησης ζημιάς, πρέπει να ακολουθούνται οι ακόλουθες οδηγίες. Η λάθος χρήση λόγω άγνοιας των οδηγιών, μπορεί να προκαλέσει τραυματισμό ή ζημιά.

Οι οδηγίες ασφάλειας χωρίζονται σε δύο κατηγορίες. Και στις δύο περιπτώσεις καταγράφονται σημαντικές πληροφορίες για την ασφάλεια οι οποίες πρέπει να διαβαστούν προσεκτικά.



ΠΡΟΕΙΔΟΠΟΙΗΣΗ

Η μη παρατήρηση μιας προειδοποίησης μπορεί να αποφέρει θάνατο. Η συσκευή πρέπει να εγκατασταθεί σύμφωνα με τους εθνικούς κανονισμούς καλωδίωσης.



ΠΡΟΣΟΧΗ

Η μη παρατήρηση μιας ενέργειας που απαιτεί προσοχή μπορεί να προκαλέσει τραυματισμό ή ζημιά στον εξοπλισμό.



ΠΡΟΕΙΔΟΠΟΙΗΣΗ

Συμβουλευτείτε το προμηθευτή σας για την εγκατάσταση του κλιματιστικού.

Η ημιτελής εγκατάσταση από μέρους σας μπορεί να προκαλέσει διαρροή, ηλεκτροπληξία και πυρκαγιά.

Συμβουλευτείτε το προμηθευτή σας για την βελτίωση, επισκευή και συντήρηση.

Η ατελής βελτίωση, επισκευή και συντήρηση μπορεί να προκαλέσει διαρροή, ηλεκτροπληξία και πυρκαγιά.

Για την αποφυγή ηλεκτροπληξίας, πυρκαγιάς ή τραυματισμού, ή εάν αντιληφθείτε κάποια ανωμαλία όπως οσμή καπνού, απενεργοποιήστε τη συσκευή και καλέστε τον προμηθευτή σας για οδηγίες.

Μην επιτρέψετε να βραχεί το τηλεχειριστήριο της εσωτερικής μονάδας.

Μπορεί να προκληθεί ηλεκτροπληξία ή πυρκαγιά.

Μην πιέζετε τα πλήκτρα του τηλεχειριστηρίου με αιχμηρά αντικείμενα.

Μπορεί να προκληθεί φθορά στο τηλεχειριστήριο.

Μην αντικαθιστάτε τις ασφάλειες με ασφάλειες με μη συμβατή ονομαστική τάση, ή την καλωδίωση σε περίπτωση που καεί η ασφάλεια.

Η χρήση καλωδίου ή καλωδίου χαλκού μπορεί να προκαλέσει βλάβη στη μηχανή ή να προκαλέσει πυρκαγιά.

Δεν είναι καλό για την υγεία σας η παρατεταμένη απευθείας έκθεση στην διάχυση του αέρα.

Μην βάζετε τα δάχτυλά σας ή άλλα αντικείμενα στις εισαγωγές και τις εξαγωγές αέρα.

Όταν ο ανεμιστήρας κινείται με υψηλή ταχύτητα, μπορεί να προκληθεί τραυματισμός.

Μην χρησιμοποιείτε ποτέ εύφλεκτα αέρια όπως σπрей μαλλιών, βενρίκια ή χρώματα κοντά στη μονάδα.

Μπορεί να προκληθεί πυρκαγιά.

Μην αγγίζετε ποτέ την εξαγωγή αέρα ή τις οριζόντιες περσίδες όταν είναι σε λειτουργία η κίνηση των περσίδων.

Τα δάχτυλά σας μπορεί να τραυματιστούν ή να προκληθεί ζημιά στη συσκευή.

Μην βάζετε ποτέ αντικείμενα στην εισαγωγή ή την εξαγωγή του αέρα.

Τα αντικείμενα που θα έρθουν σε επαφή με τον ανεμιστήρα μπορούν να γίνουν πολύ επικίνδυνα.

Μην επισκευάζετε ή επιθεωρείτε την συσκευή μόνοι σας. Απευθυνθείτε σε εξειδικευμένο τεχνικό για να εκτελέσει τις εργασίες.

Μην απορρίπτετε τη συσκευή σε κοινούς κάδους απορριμμάτων. Υπάρχει ειδική διαδικασία συλλογής για την σωστή επεξεργασία και απόρριψη.

Μην απορρίπτετε τις ηλεκτρικές συσκευές σε κοινούς κάδους απορριμμάτων, χρησιμοποιήστε τους ειδικούς κάδους ανακύκλωσης.

Επικοινωνήστε με τους τοπικούς φορείς για πληροφορίες σχετικά με τις δυνατότητες απόρριψης.

Εάν οι ηλεκτρικές συσκευές απορρίπτονται σε ανεξέλεγκτους χώρους αποφέρει την διαρροή βλαβερών ουσιών οι οποίες μολύνουν το περιβάλλον και κατά συνέπεια προκαλούν προβλήματα υγείας.

Για την αποφυγή διαρροής ψυκτικού υγρού, συμβουλευτείτε τον προμηθευτή σας.

Όταν το σύστημα εγκαθίσταται και λειτουργεί σε μικρό χώρο, πρέπει να παρακολουθείτε το ψυκτικό υγρό ώστε να μην πέσει η στάθμη κάτω από το όριο. Αυτό μπορεί να προκαλέσει μείωση του οξυγόνου στον χώρο οδηγώντας σε σοβαρό ατύχημα.

Το ψυκτικό υγρό της συσκευής είναι ασφαλές και συνήθως δεν διαρρέει.

Εάν το ψυκτικό υγρό διαρρεύσει στο χώρο, εάν έρθει σε επαφή φλόγα, θερμάντικο σώμα ή στίβια μαγειρέματος μπορεί να προκαλέσει την έκκλιση βλαβερών αερίων.

Απενεργοποιήστε όποιες συσκευές καύσης, αερίστε τον χώρο, και επικοινωνήστε με τον προμηθευτή σας.

Μην χρησιμοποιήσετε το κλιματιστικό ώσπου να εκτελεστούν οι επισκευές και να το εγκρίνει ο εξειδικευμένος τεχνικός.



ΠΡΟΣΟΧΗ

Μην χρησιμοποιείτε το κλιματιστικό για αλλοιούς σκοπούς.

Για την αποφυγή της αλλοίωσης ποιότητας, μην χρησιμοποιείτε τη μονάδα για την ψύξη οργάνων ακριβείας, τροφίμων, φυτών, ζώων ή έργων τέχνης.

Πριν τον καθαρισμό, βεβαιωθείτε ότι έχει σταματήσει η λειτουργία, κλείστε τον ασφαλειοδιακόπτη και αποσυνδέστε το καλώδιο από την πρίζα.

Σε αντίθετη περίπτωση, μπορεί να προκληθεί ηλεκτροπληξία και τραυματισμός.

Για την αποφυγή ηλεκτροπληξίας ή πυρκαγιάς, βεβαιωθείτε ότι έχει εγκατασταθεί η γείωση.

Βεβαιωθείτε ότι το κλιματιστικό είναι γειωμένο.

Για την αποφυγή ηλεκτροπληξίας, βεβαιωθείτε ότι η μονάδα είναι γειωμένη και ότι το καλώδιο γείωσης δεν είναι συνδεδεμένο με αγωγό αερίου ή νερού, αλεξικέραυνο ή τη γείωση του τηλεφώνου.

Για την αποφυγή τραυματισμού, μην αφαιρείτε την προστασία του ανεμιστήρα στην εξωτερική μονάδα.

Μην χειρίζεστε το κλιματιστικό με βρεγμένα χέρια.
Μπορεί να προκληθεί ηλεκτροπληξία.

Μην αγγίζετε τα πτερύγια επαγωγής θερμότητας.
Αυτά τα πτερύγια είναι ιδιαίτερα αιχμηρά και μπορεί να προκληθεί τραυματισμός.

Μην τοποθετείτε κάτω από την εσωτερική μονάδα, αντικείμενα τα οποία μπορεί να καταστραφούν από την υγρασία.

Μπορεί να δημιουργηθούν σταγονίδια εάν η υγρασία του χώρου είναι πάνω από 80%, και έχει φραγεί ο αγωγός αποστράγγισης ή εάν το φίλτρο είναι βρώμικο.

Μετά από ένα εύλογο χρονικό διάστημα χρήσης ελέγξτε τη βάση στήριξης της μονάδας για πιθανές φθορές.

Εάν υπάρχει φθορά, μπορεί να προκληθεί τραυματισμός.

Για την αποφυγή της μείωσης του οξυγόνου στο χώρο, αερίστε τον χώρο εάν το κλιματιστικό λειτουργεί παράλληλα με κάποιο είδους καυστήρα.

Διαρρυθμίστε τον αγωγό αποστράγγισης έτσι ώστε να υπάρχει ομαλή αποστράγγιση.

Η ημιτελής εγκατάσταση της αποστράγγισης μπορεί να προκαλέσει την φθορά από υγρασία του κτιρίου, των επίπλων κτλ.

Μην επιτρέπετε στα παιδιά να ανέβουν στην εξωτερική μονάδα και αποφύγετε την τοποθέτηση οποιουδήποτε αντικειμένου πάνω στην εξωτερική μονάδα.

Η πτώση μπορεί να επιφέρει τραυματισμό.

Μην χρησιμοποιείτε το κλιματιστικό όταν χρησιμοποιείτε εντομοκτόνο ή άλλο προϊόν υποκαπνισμού στο χώρο.

Μπορεί να υπάρξει εναπόθεση χημικών στη μονάδα, το οποίο είναι επιβλαβές στην υγεία σας.

Μην τοποθετείτε συσκευές που φέρουν ανοιχτή φλόγα στην ροή του αέρα ή κάτω από την μονάδα.

Μπορεί να προκαλέσει στελή ανάφλεξη ή παραμόρφωση της μονάδας λόγω της θερμότητας.

Μην τοποθετείτε τη μονάδα σε σημείο όπου μπορεί να υπάρξει διαρροή εύφλεκτου αερίου.

Εάν υπάρξει διαρροή αερίου κοντά στο κλιματιστικό μπορεί να προκληθεί πυρκαγιά.

Η συσκευή δεν προορίζεται για χρήση από μικρά παιδιά ή άτομα με ειδικές ανάγκες χωρίς να υπάρχει επίβλεψη.

Αυτή η συσκευή μπορεί να χρησιμοποιηθεί από παιδιά 8 ετών και άνω και άτομα με ειδικές ανάγκες ή άτομα χωρίς προηγούμενη εμπειρία και γνώση για την συσκευή, ΜΟΝΟ εάν υπάρχει επίβλεψη και ενημέρωση για την ορθή χρήση της συσκευής. Τα παιδιά δεν πρέπει να παίζουν με τη συσκευή. Ο καθαρισμός δεν πρέπει να εκτελείται από παιδιά χωρίς να υπάρχει επίβλεψη.

Τα παιδιά πρέπει να επιβλέπονται για να μην παίζουν με τη συσκευή.

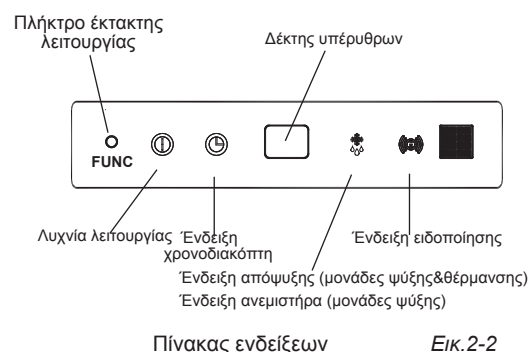
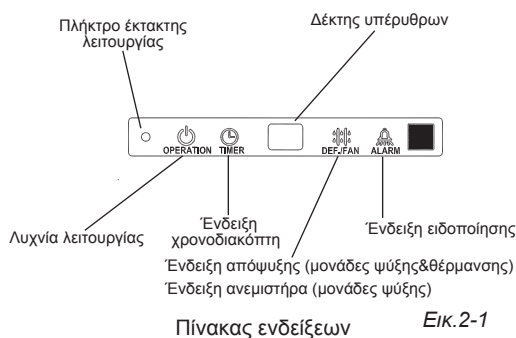
Εάν το καλώδιο τροφοδοσίας έχει υποστεί φθορά, πρέπει να αντικατασταθεί από τον κατασκευαστή, αντιπρόσωπο επισκευών της εταιρίας ή εξειδικευμένο τεχνικό για την αποφυγή κινδύνου.

Μην λειτουργείτε τη μονάδα σε υγρό χώρο όπως το μπάνιο.

2. ΟΝΟΜΑΤΟΛΟΓΙΑ ΕΞΑΡΤΗΜΑΤΩΝ

Το κλιματιστικό αποτελείται από την εσωτερική μονάδα, την εξωτερική μονάδα, το δίκτυο διασωλήνωσης και το τηλεχειριστήριο. (Βλέπε Εικ.2)

■ Ενδείξεις λειτουργιών στην εσωτερική μονάδα.



Αυτή η λειτουργία χρησιμοποιείται για να μπορέσετε να λειτουργήσετε την μονάδα σε περίπτωση που έχετε χάσει το τηλεχειριστήριο ή έχουν τελειώσει οι μπαταρίες του. Δύο τρόποι λειτουργίας είναι διαθέσιμοι προς επιλογή από το πλήκτρο έκτακτης λειτουργίας που βρίσκεται στην εσωτερική μονάδα. Αυτοί είναι οι AUTO και FORCE COOL. Όταν πιέσετε το πλήκτρο το κλιματιστικό θα λειτουργήσει και τα προγράμματα εναλλάσσονται με την εξής σειρά : AUTO. FORCE COOL, απενεργοποίηση και πάλι AUTO.

- 1 AUTO**
Η λυχνία λειτουργίας θα ανάψει και το κλιματιστικό θα δουλέψει στο αυτόματο πρόγραμμα. Είναι δυνατή η χρήση του τηλεχειριστηρίου και η μονάδα θα ανταποκριθεί εάν υπάρξουν εντολές από το τηλεχειριστήριο.
- 2 FORCED COOL**
Η λυχνία λειτουργίας θα αναβοσβήνει και το κλιματιστικό θα δουλέψει στο αυτόματο πρόγραμμα αλλά με την ταχύτητα του ανεμιστήρα στη μέγιστη ρύθμιση για 30 λεπτά. Η χρήση του τηλεχειριστηρίου δεν είναι δυνατή.
- 3 OFF**
Η λυχνία λειτουργίας θα σβήσει. Το κλιματιστικό θα απενεργοποιηθεί και η χρήση του τηλεχειριστηρίου είναι διαθέσιμη.



ΣΗΜΕΙΩΣΗ

Αυτό το εγχειρίδιο δεν περιέχει οδηγίες για τις λειτουργίες του τηλεχειριστηρίου. Για λεπτομέρειες ανατρέξτε στο εγχειρίδιο < Εγχειρίδιο χρήσης τηλεχειριστηρίου μονάδας τύπου κασέτα > το οποίο περιέχεται στη συσκευασία.

3. ΛΕΙΤΟΥΡΓΙΕΣ ΚΑΙ ΕΠΙΔΟΣΕΙΣ ΤΟΥ ΚΛΙΜΑΤΙΣΤΙΚΟΥ

Χρησιμοποιήστε το σύστημα στις ακόλουθες θερμοκρασίες για την ασφαλή και αποδοτική λειτουργία. Η μέγιστη θερμοκρασία λειτουργίας για το κλιματιστικό. (ψύξη&θέρμανση)

Πίνακας 3-1

Θερμοκρασία Λειτουργία	Εξωτερική θερμοκρασία	Θερμοκρασία δωματίου
Λειτουργία ψύξης	0°C ~ 50°C / 32 °F~122°F -15°C ~ 50°C / 5 °F~122°F (για τα μοντέλα με ψύξη χαμηλής θερμοκρασίας)	17°C ~ 32°C (62 °F ~ 90°F)
Λειτουργία θέρμανσης	-15°C ~ 24°C / 5 °F~76°F	0°C ~ 30°C / 32 °F~86°F
Λειτουργία αφύγρανσης	0°C ~ 50°C / 32 °F~122°F	17°C ~ 32°C (62 °F ~ 90°F)



ΣΗΜΕΙΩΣΗ

- Εάν το κλιματιστικό χρησιμοποιείται εκτός των ενδεδειγμένων συνθηκών μπορεί να προκληθεί μή μαλή λειτουργία.
- Το φαινόμενο δημιουργίας σταγονιδίων στην επιφάνεια της μονάδας είναι φυσιολογικό εάν στο χώρο υπάρχει υψηλή υγρασία. Παρακαλείσθε να κλείσετε τις πόρτες και τα παράθυρα.
- Η βέλτιστη λειτουργία θα επιτευχθεί στις ενδεδειγμένες συνθήκες λειτουργίας.

- Λειτουργία προστασίας τριών λεπτών.**
Μια λειτουργία προστασίας που αποτρέπει την επανεργοποίηση της μονάδας για τρία λεπτά μετά την απενεργοποίηση.
- Λειτουργία αυτόματης επανεκκίνησης.**
 - Μια διακοπή ρεύματος κατά την λειτουργία, θα σταματήσει τελείως την λειτουργία του κλιματιστικού.
 - Όταν επανέλθει το ρεύμα, η συσκευή λειτουργίας θα αναβοσβήσει. Για τα μοντέλα χωρίς την λειτουργία αυτόματης επανεκκίνησης, πιέστε το πλήκτρο ON/OFF για να ξαναέρθει σε λειτουργία η μονάδα. Για τις μονάδες με την λειτουργία αυτόματης επανεκκίνησης, η μονάδα θα έρθει σε λειτουργία αυτόματα κρατώντας όλες τις προηγούμενες ρυθμίσεις.
- Λειτουργία ανίχνευσης διαρροής (προαιρετική)**
Με αυτή τη λειτουργία στην οθόνη θα αναγραφεί η ένδειξη "EC" (όπου αυτή υπάρχει) και οι λαμπνίες LED θα αναβοσβήνουν όταν η εξωτερική μονάδα ανιχνεύσει διαρροή.
- Λειτουργία μνήμης κλίσης των περσίδων (προαιρετική)**
Για ορισμένα μοντέλα, ο μηχανισμός έχει ειδικό σχεδιασμό με μνήμη κλίσης των περσίδων. Εάν το κλιματιστικό απενεργοποιηθεί για τον οποιοδήποτε λόγο, όταν επανέλθει σε λειτουργία η κλίση των περσίδων θα επανέλθει στη προηγούμενη ρύθμιση. Συνιστούμε να μην ρυθμίσετε την κλίση να έχει μικρό άνοιγμα, στην περίπτωση που δημιουργηθούν σταγονίδια θα στάζει νερό από τις περσίδες. Πιέστε το πλήκτρο για την χειροκίνητη ρύθμιση της κλίσης των περσίδων για να επαναφέρετε τη κλίση των περσίδων στην αρχική τους θέση.

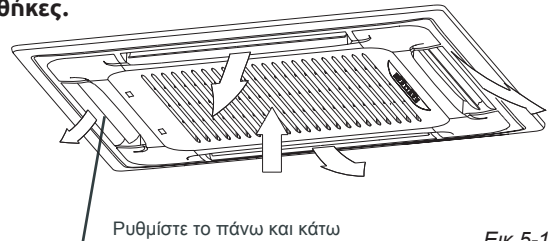
4. ΣΥΜΒΟΥΛΕΣ ΓΙΑ ΟΙΚΟΝΟΜΙΑ

Πρέπει να δοθεί προσοχή στα ακόλουθα για να επιτευχθεί η οικονομική λειτουργία.

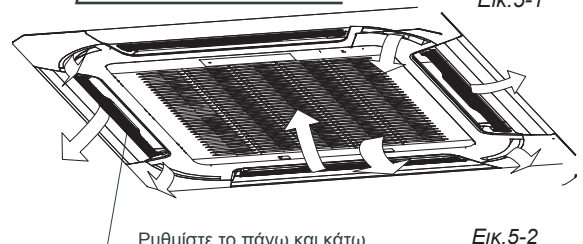
- Ρυθμίστε τις περσίδες έτσι ώστε να μην διοχετεύεται ο αέρας απευθείας πάνω στους χρήστες.
- Ρυθμίστε τη θερμοκρασία του δωματίου έτσι ώστε να υπάρχουν οι ιδανικές συνθήκες. Αποφύγετε την υπερβολική θέρμανση ή ψύξη.
- Αποφύγετε την απευθείας έκθεση στον ήλιο χρησιμοποιώντας κουρτίνες ή άλλους τρόπους σκίασης.
- Αερίζετε τον χώρο τακτικά. Η εκτεταμένη χρήση της μονάδας απαιτεί ιδιαίτερη προσοχή στον εξαερισμό.
- Κρατήστε τις πόρτες και τα παράθυρα κλειστά. Εάν οι πόρτες και τα παράθυρα παραμένουν ανοικτά, το ρεύμα του αέρα που θα δημιουργηθεί θα μειώσει την αποδοτικότητα της μονάδας.
- Μην τοποθετείτε αντικείμενα κοντά στην εισαγωγή και την εξαγωγή του αέρα της μονάδας. Μπορεί να προκαλέσει φθορά και παύση της λειτουργίας.
- Ρυθμίστε το χρονοδιακόπτη.
Εάν δεν πρόκειται να χρησιμοποιήσετε τη μονάδα για μεγάλο χρονικό διάστημα, αφαιρέστε τις μπαταρίες από το τηλεχειριστήριο. Αποσυνδέστε τη μονάδα από την παροχή ρεύματος, γιατί ακόμη και όταν δεν λειτουργεί η μονάδα καταναλώνει μια μικρή ποσότητα ενέργειας.
- Κρατήστε το τηλεχειριστήριο μακριά από τηλεοράσεις, ραδιόφωνα, ηχοσυστήματα και άλλες παρόμοιες συσκευές. Εάν δεν το κάνετε αυτό μπορεί να προκληθούν παράσιτα στις μεταδόσεις.
- Εάν το φίλτρο της μονάδας δεν είναι καθαρό, η απόδοση της θέρμανσης και της ψύξης θα πέσει. Παρακαλείσθε να καθαρίζετε το φίλτρο κάθε δυο εβδομάδες.

5. ΡΥΘΜΙΣΗ ΤΗΣ ΡΟΗΣ ΤΟΥ ΑΕΡΑ

Όταν η μονάδα λειτουργεί, μπορείτε να ρυθμίσετε την κλίση των περσίδων για να αλλάξετε την κατεύθυνση της ροής του αέρα και να αλλάξετε την θερμοκρασία του δωματίου ομοιόμορφα. Έτσι θα απολαμβάνετε ιδανικές συνθήκες.



Εικ. 5-1



Εικ. 5-2

- Ρυθμίστε την κατεύθυνση του αέρα**
Πιέστε το πλήκτρο SWING για να ρυθμίσετε τις περσίδες στην επιθυμητή θέση και πιέστε το πλήκτρο ξανά για να διατηρηθούν οι περσίδες σε αυτή τη θέση.
- Αυτόματη ρύθμιση κατεύθυνσης αέρα**
Πιέστε το πλήκτρο SWING, οι περσίδες θα αρχίσουν να κινούνται αυτόματα. Όσο υπάρχει αυτή η ρύθμιση οι περσίδες της εσωτερικής μονάδας θα κινούνται αυτόματα. Η κίνηση των περσίδων σε κάθε πλευρά είναι σε εύρος 30°. Όταν το κλιματιστικό δεν λειτουργεί (ακόμα και όταν υπάρχει ρύθμιση αυτόματης ενεργοποίησης με τον χρονοδιακόπτη), το πλήκτρο SWING δεν λειτουργεί.

5. ΣΥΝΤΗΡΗΣΗ



ΠΡΟΣΟΧΗ

Πρίν καθαρίσετε το κλιματιστικό, βεβαιωθείτε ότι η μονάδα δεν είναι ενεργοποιημένη

Ελέγξτε ότι η καλωδίωση δεν έχει υποστεί φθορά ή έχει αποσυνδεθεί.

Χρησιμοποιήστε ένα στεγνό ύφασμα για να καθαρίσετε την εσωτερική μονάδα και το τηλεχειριστήριο.

Μπορεί να χρησιμοποιηθεί ένα υγρό πανί για να καθαριστεί η εσωτερική μονάδα εάν είναι πολύ βρώμικη.

Μην χρησιμοποιείτε υγρό ύφασμα για να καθαρίσετε το τηλεχειριστήριο.

Μην χρησιμοποιείτε χημικά επεξεργασμένο ύφασμα για τον καθαρισμό της μονάδας και μην αφήνετε τέτοιου είδους προϊόντα για μεγάλο χρονικό διάστημα.

Μπορεί να φθείρει ή να θαμπώσει την επιφάνεια της μονάδας.

Μην χρησιμοποιείτε βενζίνη, διαλυτικό, βερνίκι ή παρόμοια διαλύματα για τον καθαρισμό. Αυτό μπορεί να προκαλέσει την φθορά ή την παραμόρφωση των πλαστικών επιφανειών της μονάδας.

■ Συντήρηση μετά από μεγάλο χρονικό διάστημα απραγίας.

(π.χ στην αρχή της σεζόν)

Ελέγξτε και αφαιρέστε οτιδήποτε μπορεί να φράζει την εισαγωγή ή την εξαγωγή αέρα της εσωτερικής και της εξωτερικής μονάδας.

Καθαρίστε τα φίλτρα και το πλαίσιο της εσωτερικής μονάδας. Ανατρέξτε στο "Καθαρισμός του φίλτρου αέρα" για λεπτομέρειες που αφορούν το καθαρισμό του φίλτρου. Βεβαιωθείτε ότι επανατοθετήσατε τα καθαρά πλέον φίλτρα στη μονάδα στην ίδια θέση.

Συνδέστε τη μονάδα με το ηλεκτρικό ρεύμα για τουλάχιστον 12 ώρες πριν τη λειτουργία για να διασφαλιστεί η μαλακή λειτουργία. Όταν υπάρχει παροχή ενέργειας στο τηλεχειριστήριο, θα εμφανιστούν οι ενδείξεις στην οθόνη του.

■ Συντήρηση πριν από μεγάλο χρονικό διάστημα απραγίας.

(π.χ στο τέλος της σεζόν)

Αφήστε την εσωτερική μονάδα να λειτουργήσει μόνο με τον ανεμιστήρα ενεργό για περίπου μισή ημέρα για να στεγνώσουν τα εσωτερικά εξαρτήματα της συσκευής.

Καθαρίστε τα φίλτρα και το πλαίσιο της εσωτερικής μονάδας. Ανατρέξτε στο "Καθαρισμός του φίλτρου αέρα" για λεπτομέρειες που αφορούν το καθαρισμό του φίλτρου. Βεβαιωθείτε ότι επανατοθετήσατε τα καθαρά πλέον φίλτρα στη μονάδα στην ίδια θέση.

■ Καθαρισμός του φίλτρου αέρα

Το φίλτρο αέρα μπορεί να αποτρέψει την σκόνη ή άλλα σωματίδια από το να εισέλθουν στο χώρο. Εάν μπλοκάρει το φίλτρο, η αποδοτικότητα του κλιματιστικού μπορεί να πέσει σημαντικά. Επομένως, το φίλτρο πρέπει να καθαρίζεται ανά δυο εβδομάδες κατά την εκτεταμένη χρήση.

Εάν το κλιματιστικό έχει εγκατασταθεί σε σημείο με σκόνη συνίσταται ο τακτικός καθαρισμός των φίλτρων.

Εάν το φίλτρο είναι πολύ βρώμικο από σκόνη και δεν μπορεί να καθαριστεί, παρακαλείσθε να αντικαταστήσετε το φίλτρο με ένα καινούριο. (τα αντικαθιστώμενα φίλτρα είναι προαιρετικά)

1. Άνοιγμα της γρίλιας της εισαγωγής αέρα.

Πιέστε ταυτόχρονα τους μοχλούς της γρίλιας προς το κέντρο, όπως αναγράφεται στην Εικ.6-1. Κατεβάστε τη γρίλια.

Τα καλώδια του κουτιού ελέγχου, τα οποία είναι αρχικά συνδεδεμένα στο κυρίως σώμα των ηλεκτρικών τερματικών, πρέπει να αποσυνδεθούν πριν προχωρήσετε στο παραπάνω.

2. Αφαιρέστε τη γρίλια εισαγωγής αέρα (μαζί με το φίλτρο αέρα όπως φαίνεται στην Εικ, 6-1).

Κατεβάστε τη γρίλια στις 45° και σπρώξτε την για να την αφαιρέσετε.

3. Αποσυναρμολογήστε το φίλτρο.

4. Καθαρίστε το φίλτρο αέρα

Ηλεκτρική σκούπα ή καθαρό νερό μπορεί να χρησιμοποιηθεί για να καθαρίσετε το φίλτρο αέρα. Εάν η συσσώρευση της σκόνης είναι πολύ μεγάλη χρησιμοποιήστε μια μαλακή βούρτσά και ελαφρύ καθαριστικό για να το καθαρίσετε και αφήστε το να στεγνώσει σε ένα δροσερό σημείο.

- Η πλευρά από την οποία εισέρχεται ο αέρας πρέπει να κοιτάει προς τα κάτω όταν καθαρίζεται με ηλεκτρική σκούπα. (βλέπε Εικ.6-3)
- Η πλευρά από την οποία εισέρχεται ο αέρας πρέπει να κοιτάει προς τα κάτω όταν καθαρίζεται με νερό. (βλέπε Εικ.6-4)

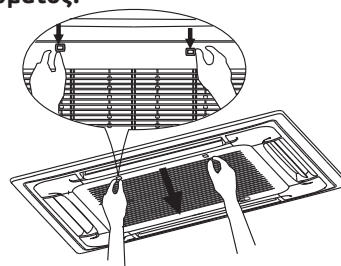


ΠΡΟΣΟΧΗ

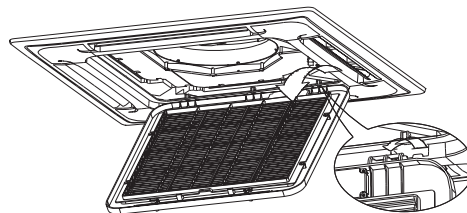
Μην στεγνώνετε το φίλτρο αέρα στον ήλιο ή με φωτιά.

5. Επανατοποθετήστε το φίλτρο αέρα

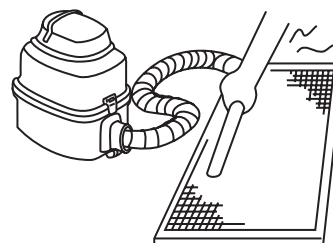
6. Εγκαταστήστε και κλείστε την γρίλια εισαγωγής αέρα ακολουθώντας τις αντιστροφή σειρά των βημάτων 1 και 2 και επανασυνδέστε τα καλώδια του κουτιού ελέγχου στα αντίστοιχα τερματικά του κυρίως σώματος.



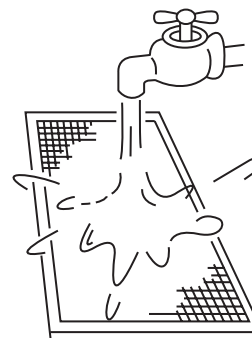
Εικ. 6-1



Εικ. 6-2



Εικ. 6-3



Εικ. 6-4

7. ΦΑΙΝΟΜΕΝΑ ΠΟΥ ΔΕΝ ΕΙΝΑΙ ΒΛΑΒΕΣ ΤΟΥ ΚΛΙΜΑΤΙΣΤΙΚΟΥ

Ένας συνεχόμενος ήχος ακούγεται όταν το σύστημα είναι σε λειτουργία. Ο ήχος αυτός οφείλεται στην κυκλοφορία του ψυκτικού αερίου στην εσωτερική και την εξωτερική μονάδα.

Φαινόμενο 1: Το σύστημα δεν λειτουργεί

- Το κλιματιστικό δεν λειτουργεί αμέσως μετά την πίεση του πλήκτρου ON/OFF στο τηλεχειριστήριο. Εάν η βλυσίδα λειτουργίας ανάβει, το σύστημα βρίσκεται σε κανονική κατάσταση. Για να αποφευχθεί η υπερφόρτωση του συμπιεστή, το κλιματιστικό θα ξεκινήσει 3 λεπτά μετά από την ενεργοποίηση.
Εάν είναι αναμμένη η βλυσίδα λειτουργίας και η ένδειξη "PRE-DEF (για τα μοντέλα που υποστηρίζουν ψύξη & θέρμανση) ή η ένδειξη FAN ONLY (για τα μοντέλα που υποστηρίζουν μόνο ψύξη)" σημαίνει ότι έχετε επιλέξει λειτουργία θέρμανσης. Όταν ξεκινάει η λειτουργία της μονάδας, εάν δεν έχει ξεκινήσει ο συμπιεστής, η εσωτερική μονάδα θα εμφανίζεται ότι βρίσκεται σε λειτουργία προστασίας "anti cold wind", καθώς η θερμοκρασία του εξαγόμενου αέρα θα είναι ακόμη πολύ χαμηλή.

Φαινόμενο 2: Αλλαγή από λειτουργία ψύξης σε λειτουργία ανεμιστήρα.

- Για να αποφευχθεί η δημιουργία πάγου στην εσωτερική μονάδα, το σύστημα θα περάσει αυτόματα σε λειτουργία ανεμιστήρα, η λειτουργία ψύξης θα επανέλθει σύντομα.
- Όταν η θερμοκρασία του χώρου φτάσει την επιθυμητή που έχει ρυθμιστεί, ο συμπιεστής θα σταματήσει και η εσωτερική μονάδα θα μεταβεί σε λειτουργία ανεμιστήρα. Όταν ξανά ανέβει η θερμοκρασία, ο συμπιεστής θα ξεκινήσει να λειτουργεί και πάλι. Το ίδιο συμβαίνει και με την λειτουργία θέρμανσης.

Φαινόμενο 3: Λευκός ατμός βγαίνει από την μονάδα

Φαινόμενο 3.1 : Εσωτερική μονάδα

Όταν η υγρασία στον χώρο είναι υψηλή κατά την διάρκεια της ψύξης, εάν το εσωτερικό της εσωτερικής μονάδας είναι πολύ βρώμικο, η αλλαγή της θερμοκρασίας στο χώρο γίνεται άμεσα. Είναι απαραίτητο να καθαρίσετε το εσωτερικό της μονάδας. Συμβουλευτείτε τον προμηθευτή σας για λεπτομέρειες για τον καθαρισμό της μονάδας. Η διαδικασία απαιτεί εξειδικευμένο τεχνικό.

Φαινόμενο 3.2 : Εσωτερική μονάδα, εξωτερική μονάδα

- Όταν η υγρασία στον χώρο είναι υψηλή κατά την διάρκεια της ψύξης, εάν το εσωτερικό της εσωτερικής μονάδας είναι πολύ βρώμικο, η αλλαγή της θερμοκρασίας στο χώρο γίνεται άμεσα. Είναι απαραίτητο να καθαρίσετε το εσωτερικό της μονάδας. Συμβουλευτείτε τον προμηθευτή σας για λεπτομέρειες για τον καθαρισμό της μονάδας. Η διαδικασία απαιτεί εξειδικευμένο τεχνικό.
- Όταν η λειτουργία του συστήματος αλλάξει σε θέρμανση μετά την λειτουργία αποπάγωσης, η υγρασία που δημιουργείται από την αποπάγωση εξατμίζεται.

Φαινόμενο 4: Θόρυβος κατά την ψύξη

Φαινόμενο 4.1 : Εσωτερική μονάδα

- Ακούγεται ένας συνεχόμενος χαμηλός θόρυβος όταν το σύστημα λειτουργεί ή κατά την απενεργοποίηση. Όταν η αντλία αποστράγγισης λειτουργεί, παράγεται αυτός ο ήχος.
- Ακούγεται ένας θόρυβος όταν το σύστημα απενεργοποιείται μετά την λειτουργία θέρμανσης. Ο θόρυβος αυτός οφείλεται στην συστολή και διαστολή των πλαστικών μερών της μονάδας.

Φαινόμενο 4.2 : Εσωτερική μονάδα, εξωτερική μονάδα

- Ένας συνεχόμενος ήχος ακούγεται όταν το σύστημα είναι σε λειτουργία. Ο ήχος αυτός οφείλεται στην κυκλοφορία του ψυκτικού αερίου στην εσωτερική και την εξωτερική μονάδα.

- Ένας συνεχόμενος ήχος ακούγεται αμέσως μετά την παύση της λειτουργίας ή κατά την λειτουργία αποπάγωσης. Αυτός ο ήχος οφείλεται στην παύση κυκλοφορίας ή την αλλαγή κυκλοφορίας του ψυκτικού αερίου.

Φαινόμενο 4.3 : Εξωτερική μονάδα

- Όταν ο ήχος της λειτουργίας αλλάζει, αυτό οφείλεται στην αλλαγή συχνότητας.

Φαινόμενο 5: Βγαίνει σκόνη από την μονάδα

- Όταν η μονάδα χρησιμοποιείται για πρώτη φορά μετά από καιρό. Αυτό οφείλεται στο γεγονός ότι έχει εισχωρήσει σκόνη στη μονάδα.

Φαινόμενο 6: Οσμές από τη μονάδα

- Η μονάδα μπορεί να απορροφήσει τις οσμές από τα δωμάτια, έπιπλα, ταίγαρα, κτλ, και να τις αποβάλλει ξανά.

Φαινόμενο 7: Δεν λειτουργεί ο ανεμιστήρας της εξωτερικής μονάδας

- Κατά την λειτουργία, η λειτουργία του ανεμιστήρα ελέγχεται για την βελτιστοποίηση της λειτουργίας της μονάδας.

8. ΑΝΙΧΝΕΥΣΗ ΒΛΑΒΩΝ

8.1 Βλάβες και προβλήματα του κλιματιστικού

Εάν κάποια από τις ακόλουθες βλάβες συμβεί, σταματήστε τη λειτουργία, αποσυνδέστε το ρεύμα και επικοινωνήστε με τον προμηθευτή σας.

- Η βλυσίδα λειτουργίας αναβοσβήνει γρήγορα. (5Hz)
Η βλυσίδα αναβοσβήνει ακόμη και μετά την απενεργοποίηση και την επανεργοποίηση. (βλέπε πίνακα 8-1)
- Το τηλεχειριστήριο δέχεται βλάβη ή τα πλήκτρα δεν λειτουργούν σωστά.
- Μια συσκευή ασφάλειας, όπως ασφάλεια τάση, διακόπτης ασφάλειας ενεργοποιείται συνεχώς.
- Αντικείμενα και νερό έχουν εισχωρήσει στη μονάδα.
- Διαρροή νερού από την εσωτερική μονάδα.
- Άλλες βλάβες.

Εάν το σύστημα δεν λειτουργεί σωστά εκτός από τις παραπάνω περιπτώσεις ή κάποια από παραπάνω βλάβες είναι εμφανής, ελεγήτε το σύστημα σύμφωνα με τις ακόλουθες διαδικασίες. (βλέπε πίνακα 8-2)

8.2 Βλάβες και προβλήματα του τηλεχειριστηρίου

Πριν απευθυνθείτε σε αντιπρόσωπο για την επισκευή, ελέγξτε τα ακόλουθα σημεία. (βλέπε πίνακα 8-3)

NO.	Βλάβη	Ένδειξη (οθόνη)	Λυχνία χρονοδιακόπτη	Λυχνία λειτουργίας (λάμπες ανά δευτερόλεπτο)
1	Βλάβη EEPROM της εσωτερικής μονάδας	E0	OFF	1
2	Βλάβη επικοινωνίας μεταξύ εσωτερικής και εξωτερικής μονάδας.	E1	OFF	2
3	Βλάβη εσωτερικού ανεμιστήρα	E3	OFF	4
4	Κομμένο καλώδιο ή βραχυκύκλωμα στον αισθητήρα θερμοκρασίας	E4	OFF	5
5	Κομμένο καλώδιο ή βραχυκύκλωμα στο πηνίο θερμοκρασίας	E5	OFF	6
6	Βλάβη ανίχνευσης διαρροής ψυκτικού	EC	OFF	7
7	Βλάβη ένδειξης στάθμης νερού	EE	OFF	8
8	Βλάβη επικοινωνίας μεταξύ των εσωτερικών μονάδων(για διδυμες μονάδες)	E8	OFF	9
9	Άλλες βλάβες για διδυμες μονάδες.	E9	OFF	10
10	Προστασία υπερφόρτωσης κυκλώματος	F0	ON	1
11	Κομμένο καλώδιο ή βραχυκύκλωμα εξωτερικού αισθητήρα θερμοκρασίας	F1	ON	2
12	Βλάβη στον αισθητήρα θερμοκρασίας του αγωγού του συμπυκνωτή της εξωτερικής μονάδας	F2	ON	3
13	Βλάβη στον αισθητήρα θερμοκρασίας του εξαγόμενου αέρα	F3	ON	4
14	Βλάβη EEPROM της εξωτερικής μονάδας	F4	ON	5
15	Βλάβη ανεμιστήρα εξωτερικής μονάδας(μόνο για μοτέρ τύπου DC)	F5	ON	6
16	Βλάβη αισθητήρα T2b	F6	ON	7
17	Ανωμαλία στον έλεγχο του καναλιού επικοινωνίας των πάνελ	F7	ON	8
18	Βλάβη στο πάνελ	F8	ON	9
19	Το πάνελ δεν έχει κλείσει	F9	ON	10
20	Προστασία IPM στο εξάρτημα Inverter	P0	λάμψη	1
21	Προστασία υψηλής/χαμηλής τάσης	P1	λάμψη	2
22	Προστασία συμπιεστή κατά την υψηλή θερμοκρασία	P2	λάμψη	3
23	Προστασία από την εξωτερική χαμηλή θερμοκρασία	P3	λάμψη	4
24	Βλάβη συμπιεστή	P4	λάμψη	5
25	Ασυμβατότητα προγραμμάτων	P5	λάμψη	6

Πίνακας 8-2

Φαινόμενα	Αίτια	Λύση
Η μονάδας δεν ξεκινά	<ul style="list-style-type: none"> • Διακοπή ρεύματος • Απενεργοποιημένος διακόπτης ρεύματος • Καμμένη ασφάλεια • Άδειες μπαταρίες ή άλλο πρόβλημα στο τηλεχειριστήριο 	<ul style="list-style-type: none"> • Περιμένετε να έρθει το ρεύμα • Ενεργοποιήστε τον διακόπτη • Αντικαταστήστε την ασφάλεια • Αντικαταστήστε τις μπαταρίες και ελέγξτε το τηλεχειριστήριο
Κανονική ροή αέρα άλλα αδυναμία ψύξης	<ul style="list-style-type: none"> • Δεν έχει οριστεί σωστά η θερμοκρασία • Βρίσκεται σε προστασία 3 λεπτών του συμπιεστή 	<ul style="list-style-type: none"> • Ρυθμίστε σωστά τη θερμοκρασία • Περιμένετε
Αναβοσβήνει συχνά η συσκευή	<ul style="list-style-type: none"> • Το ψυκτικό είναι πολύ λίγο ή πάρα πολύ • Αέρας ή ασύμβατο αέριο στο κύκλωμα του ψυκτικού • Βλάβη συμπιεστή • Η τάση είναι πολύ υψηλή ή πολύ χαμηλή • Φραγή στο κύκλωμα του συστήματος 	<ul style="list-style-type: none"> • Ελέγξτε για διαρροή και αναπληρώστε το ψυκτικό • Εκκενώστε και αναπληρώστε το ψυκτικό • Συντήρηση ή αντικατάσταση συμπιεστή • Ελέγξτε την πίεση του ψυκτικού
Χαμηλή απόδοση στη ψύξη	<ul style="list-style-type: none"> • Βρώμικος εναλλακτής θερμότητας εσωτερικής και εξωτερικής μονάδας • Βρώμικο φίλτρο αέρα • Φραγή εισαγωγής/εξαγωγής αέρα εσωτερικής και εξωτερικής μονάδας • Ανοικτές πόρτες και παράθυρα • Εκτεταμένη ηλιοφάνεια • Υπερβολική παραγωγή θερμότητας • Πολύ υψηλή εξωτερική θερμοκρασία • Διαρροή ή έλλειψη ψυκτικού 	<ul style="list-style-type: none"> • Καθαρίστε τον εναλλακτή θερμότητας • Καθαρίστε το φίλτρο αέρα • Καθαρίστε τις εισαγωγές και τις εξαγωγές αέρα των μονάδων • Κλείστε τις πόρτες και τα παράθυρα • Χρησιμοποιήστε κουρτίνες ή άλλα σκίαστρα • Μειώστε τις εκπομπές θερμότητας • Αναζητήστε παραπάνω για την αιτία και την λύση • Φυσιολογική μείωση απόδοσης ψύξης
Χαμηλή απόδοση στη θέρμανση	<ul style="list-style-type: none"> • Η εξωτερική θερμοκρασία είναι μικρότερη από 7°C • Οι πόρτες και τα παράθυρα δεν είναι κλειστά • Διαρροή ή έλλειψη ψυκτικού 	<ul style="list-style-type: none"> • Χρησιμοποιήστε συσκευή θέρμανσης • Κλείστε τις πόρτες και τα παράθυρα • Ελέγξτε για διαρροή και αναπληρώστε το ψυκτικό

Πίνακας 8-3

Φαινόμενα	Αίτια	Λύση
Δεν αλλάζει η ταχύτητα του ανεμιστήρα	<ul style="list-style-type: none"> • Ελέγξτε εάν η ένδειξη προγράμματος λειτουργίας είναι AUTO 	Κατά την αυτόματη λειτουργία, το κλιματιστικό αλλάζει αυτόματα την ταχύτητα του ανεμιστήρα
	<ul style="list-style-type: none"> • Ελέγξτε εάν η ένδειξη προγράμματος λειτουργίας είναι DRY 	Κατά τη λειτουργία DRY δεν είναι δυνατή η αλλαγή ταχύτητας του ανεμιστήρα. Η ταχύτητα του ανεμιστήρα μπορεί να επιλεγεί στις εξής ρυθμίσεις "COOL", "FAN ONLY", και "HEAT"
Δεν μεταδίδεται το σήμα από το τηλεχειριστήριο, ακόμη και όταν πιέζετε το πλήκτρο ON/OFF	<ul style="list-style-type: none"> • Ελέγξτε εάν έχουν αδειάσει οι μπαταρίες του τηλεχειριστηρίου 	Αντικαταστήστε τις μπαταρίες
Δεν ανάβει η ένδειξη TEMP	<ul style="list-style-type: none"> • Ελέγξτε εάν η ένδειξη προγράμματος λειτουργίας είναι FAN ONLY 	Η θερμοκρασία δεν μπορεί να ρυθμιστεί κατά την λειτουργία του ανεμιστήρα
Οι ενδείξεις στην οθόνη εξαφανίζονται μετά από λίγο χρόνο	<ul style="list-style-type: none"> • Ελέγξτε εάν η λειτουργία του χρονοδιακόπτη έχει περατωθεί όταν ανάβει η ένδειξη TIMER OFF στην οθόνη 	Η λειτουργία του κλιματιστικού θα σταματήσει αυτόματα την ορισμένη ώρα
Η ένδειξη TIMER ON σβήνει μετά από λίγο χρόνο	<ul style="list-style-type: none"> • Ελέγξτε εάν η λειτουργία του χρονοδιακόπτη έχει ξεκινήσει όταν ανάβει η ένδειξη TIMER ON στην οθόνη 	Η λειτουργία του κλιματιστικού θα ξεκινήσει αυτόματα την ορισμένη ώρα και η αντίστοιχη ένδειξη θα σβήσει
Δέν υπάρχει ηχητική ειδοποίηση από την εσωτερική μονάδα ακόμη κι όταν πιέζετε το πλήκτρο ON/OFF	<ul style="list-style-type: none"> • Ελέγξτε εάν ο πομπός σήματος του τηλεχειριστηρίου είναι σωστά προσατολισμένος προς τον δέκτη της εσωτερικής μονάδας 	Κατευθύνετε τον πομπό στον δέκτη της εσωτερικής μονάδας και πιέστε το πλήκτρο ON/OFF δύο συνεχόμενες φορές

Ενεργοποιήστε την εγγύησή σας...

σε **5**
απλά
βήματα!



Σκανάρετε εδώ
για τα έντυπα
των εγγυήσεων

- 1** Συνδεθείτε στο site της Inventor στον ακόλουθο σύνδεσμο <http://www.inventoraircondition.gr/egiisi-inventor/>
- 2** Επιλέξτε τον τύπο του προϊόντος (κλιματιστικό ή συσκευή) για το οποίο θα ενεργοποιηθεί η εγγύηση
- 3** Επιλέξτε την εγγύηση που αντιστοιχεί στο προϊόν που έχετε στην κατοχή σας
- 4** Συμπληρώστε τα απαιτούμενα στοιχεία (κατόχου, εμπόρου και συσκευής) και πατήστε αποστολή
- 5** Θα λάβετε επιβεβαιωτικό μήνυμα στο e-mail σας για την ενεργοποίηση της εγγύησης

Για την υποβολή
ηλεκτρονικών εγγυήσεων
ηλεκτρολογήστε
την παρακάτω διεύθυνση

<https://www.inventoraircondition.gr/egiisi-inventor>

UNITATE INTERIOARĂ

UNITATE EXTERIOARĂ

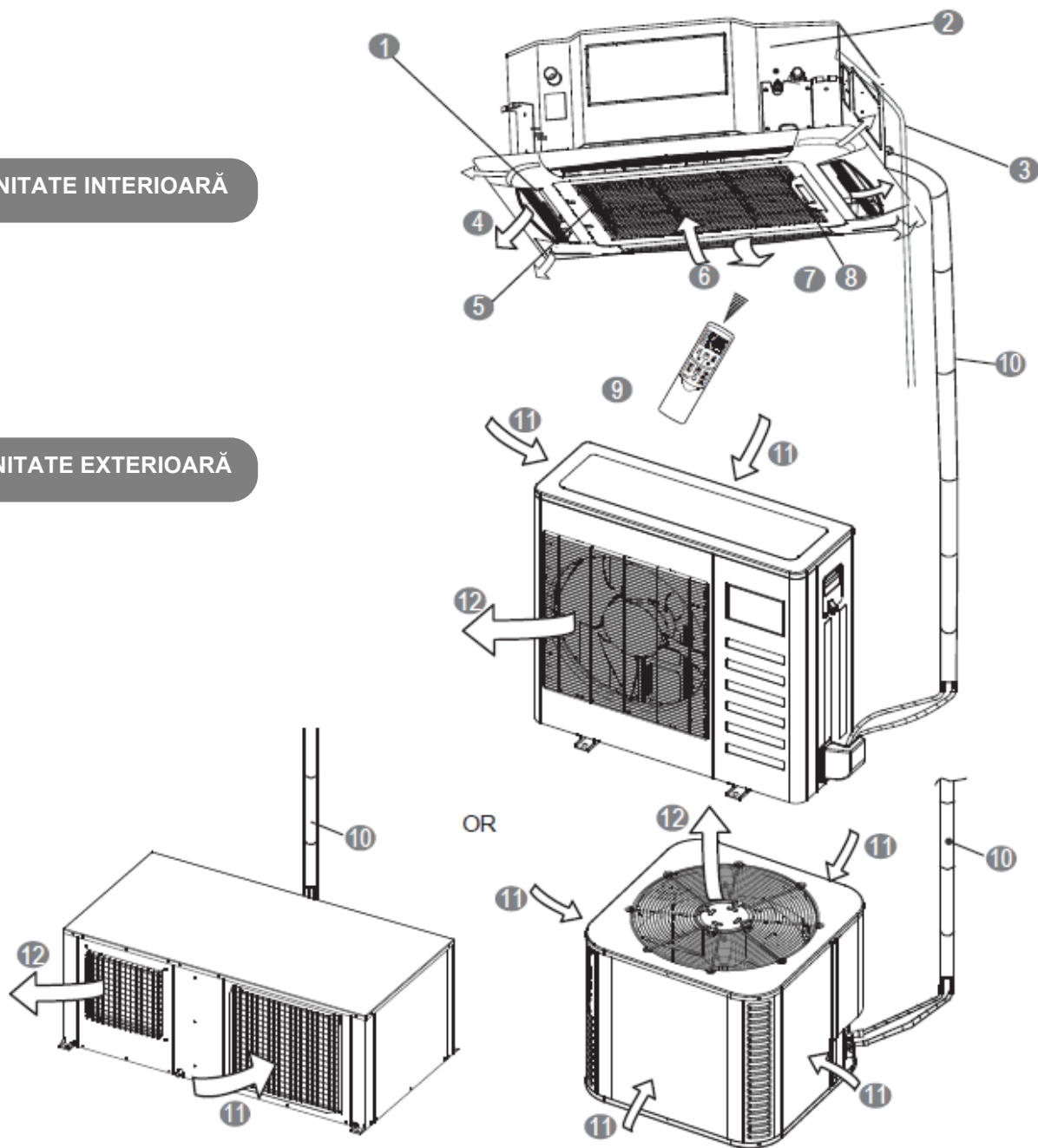


Fig.1

- | | | | |
|---|---|----|---------------------------|
| 1 | Flaps flux de aer (la evacuarea de aer) | 7 | Grilaj admisie aer |
| 2 | Pompă scurgere (scurge apa din unitatea interioară) | 8 | Panou afișaj |
| 3 | Conductă de scurgere | 9 | Telecomandă |
| 4 | Evacuare aer | 10 | Conductă agent frigorific |
| 5 | Filtru de aer (în interiorul grilajului de admisie aer) | 11 | Admisie aer |
| 6 | Admisie aer | 12 | Evacuare aer |



NOTĂ

Toate imaginile din acest manual au doar scop explicativ. Acestea pot fi ușor diferite de aparatul de aer condiționat achiziționat de dvs. (în funcție de model). Forma reală va fi cea luată în considerare.

1. INFORMAȚII IMPORTANTE PENTRU SIGURANȚĂ	2
2. DENUMIRE COMPONENTE	5
3. FUNCȚIONAREA ȘI PERFORMANȚA APARATULUI DE AER CONDIȚIONAT	6
4. SFATURI PENTRU O FUNCȚIONARE ECONOMICĂ	7
5. AJUSTAREA DIRECȚIEI FLUXULUI DE AER	8
6. ÎNTREȚINEREA	9
7. URMĂRIREA ERORILOR CARE NU SUNT DEFECȚIUNI ALE APARATULUI DE AER CONDIȚIONAT	11
8. DEPANAREA	13

1. INFORMAȚII IMPORTANTE PENTRU SIGURANȚĂ

Pentru a preveni vătămarea utilizatorului sau a altor persoane și daunele asupra proprietății, trebuie urmate următoarele instrucțiuni. Funcționarea incorectă datorată ignorării instrucțiunilor poate cauza vătămare sau daune.

Precauțiile pentru siguranță enumerate sunt împărțite în două categorii. În oricare dintre cazuri, există informații importante pentru siguranță care trebuie citite cu atenție.



AVERTIZARE

Nerespectarea unei avertizări poate duce la deces. Aparatul va fi instalat în conformitate cu reglementările naționale de cablare.



ATENȚIE

Nerespectarea unei atenționări poate duce la vătămare sau la avarierea echipamentului.



AVERTIZARE

Cereți vânzătorului dvs. instalarea aparatului de aer condiționat.

Instalarea incompletă realizată de dvs. poate duce la scurgeri de apă, electrocutare și incendiu.

Cereți vânzătorului dvs. ajutorul pentru îmbunătățirea, reparația și întreținerea aparatului.

Îmbunătățirile, reparațiile și întreținerea incompletă pot duce la scurgeri de apă, electrocutare și incendiu.

Pentru a evita electrocutarea, incendiul sau vătămarea, sau la observarea oricărei anomalii cum ar fi mirosul de fum, opriți alimentarea cu electricitate și sunați vânzătorul pentru instrucțiuni.

Nu permiteți niciodată ca unitatea interioară sau telecomanda să se ude.

Acest lucru poate duce la electrocutare sau incendiu.

Nu apăsați niciodată butoanele telecomenzii cu obiecte tari sau ascuțite.

Telecomanda poate fi avariata.

Nu înlocuiți niciodată siguranța cu una cu voltaj nominal greșit sau alte cabluri atunci când se

arde o siguranță.

Utilizarea unui cablu sau a unui cablu din cupru poate duce la avarierea aparatului sau poate cauza un incendiu.

Nu este sănătos pentru dvs. să vă expuneți corpul la fluxul de aer pentru timp îndelungat.

Nu introduceți degetele, bețe sau alte obiecte în admisia sau evacuarea de aer.

Atunci când ventilatorul se învâрте la viteze mari, acest lucru poate cauza vătămare.

Nu utilizați niciodată un spray inflamabil, de genul unui fixativ de păr, lac sau vopsea în apropierea aparatului.

Acest lucru poate duce la incendiu.

Nu atingeți niciodată evacuarea de aer sau lamelele orizontale în timp ce oscilația flapsului este funcțională.

Vă puteți prinde degetele sau aparatul se poate defecta.

Nu introduceți niciodată obiecte în admisia sau evacuarea de aer.

Obiectele ce ating ventilatorul la viteze mari pot fi periculoase.

Nu inspectați sau nu reparați singur(ă) aparatul.

Cereți unei persoane calificate de la service să realizeze aceste lucrări.

Nu aruncați acest produs ca și deșeu menajer nesortat. Colectarea acestui deșeu se face separat deoarece este necesar un tratament special.

Nu aruncați acest produs ca și deșeu menajer nesortat, utilizați centre de sortare specializate.

Contactați administrația dvs. locală pentru informații cu privire la disponibilitatea sistemelor de colectare disponibile.

Dacă aparatele electrice sunt aruncate în gropile de gunoi sau deșeuri, substanțe periculoase se pot infiltra în pânza freatică și pot pătrunde în lanțul alimentară, dăunând sănătății și bunăstării dvs.

Pentru a preveni scurgerea agentului frigorific, contactați vânzătorul dvs.

Atunci când sistemul este instalat și funcționează într-o cameră mică, este necesară păstrarea concentrației agentului frigorific sub limită în cazul în care există șansa ca acesta să se scurgă. În caz contrar, oxigenul din cameră poate scădea, ducând la accidente serioase.

Agentul frigorific din aparatul de aer condiționat este sigur și în mod normal nu curge.

Dacă agentul frigorific curge în cameră, contactul cu un foc de arzător, un radiator sau un aragaz poate duce la formarea de gaze nocive.

Opriți orice dispozitive de încălzire cu aprindere, aerisiți camera și contactați vânzătorul de la care ați achiziționat aparatul.

Nu utilizați aparatul de aer condiționat până ce o persoană de la service nu vă confirmă că zona în care agentul frigorific curgea a fost reparată.



ATENȚIE

Nu utilizați aparatul de aer condiționat în alte scopuri.

Pentru a evita orice deteriorare a calității, nu utilizați aparatul pentru a răci instrumente de precizie, alimente, plante, animale sau lucrări de artă.

Înainte de curățare, asigurați-vă că opriți funcționarea, opriți comutatorul sau trageți aparatul din

priză.

În caz contrar, se poate ajunge la electrocutare sau vătămare.

Pentru a evita electrocutarea sau incendiul, asigurați-vă că instalați un detector de scurgeri electrice la împământare.

Asigurați-vă că aparatul de aer condiționat este împământat.

Pentru a evita electrocutarea, asigurați-vă că aparatul este legat la împământare și că firul pentru împământare nu este legat la o conductă de gaze sau de apă, de un paratrăsnet sau un fir de telefon.

Pentru a preveni vătămarea, nu înlăturați grilajul de protecție al ventilatorului unității exterioare.

Nu manevrați aparatul de aer condiționat cu mâinile ude. Poate apărea electrocutarea.

Nu atingeți lamelele schimbătorului de căldură.

Aceste lamele sunt ascuțite și pot duce la vătămare prin tăiere.

Nu puneți obiecte ce pot fi avariate de umezeală sub unitatea interioară.

Poate apărea condensul dacă umiditatea este de peste 80%, atunci evacuarea de scurgere este blocată și filtrul este poluat.

După utilizare un timp îndelungat, verificați suportul și montajul aparatului pentru defecțiuni.

Dacă sunt avariate, aparatul poate cădea și poate apărea vătămarea.

Pentru a evita lipsa de oxigen, aerisiți bine camera dacă utilizați un radiator cu arzător împreună cu aparatul de aer condiționat.

Aranjați furtunul de evacuare pentru a asigura o scurgere lină.

Scurgerea incompletă poate duce la udarea imobilului, mobilei, etc.

Nu atingeți niciodată componentele interne ale controlerului.

Nu îndepărtați panoul frontal. Unele componente din interior sunt periculoase la atingere și poate apărea avarierea aparatului.

Nu expuneți niciodată copiii mici, plantele sau animalele direct la fluxul de aer.

Pot să apară efecte adverse asupra copiilor mici, animalelor și plantelor.

Nu permiteți unui copil să urce pe unitatea exterioară și evitați amplasarea de obiecte pe aceasta.

Căderea sau rostogolirea poate duce la vătămare.

Nu puneți în funcțiune aparatul de aer condiționat atunci când utilizați un insecticid ce implică fumegarea camerei.

Nerespectarea acestei măsuri poate duce la depozitarea chimicalelor în aparat, lucru care poate pune în pericol sănătatea celor hipersensibili la chimicale.

Nu amplasați aparate care produc flacără deschisă expuse la fluxul de aer al unității sau sub unitatea interioară.

Poate duce la aprinderea incompletă sau deformarea unității datorită căldurii.

Nu instalați aparatul de aer condiționat în nicio locație în care se pot scurge gaze inflamabile.

Dacă gazele se scurg și persistă în jurul aparatului de aer condiționat, poate izbucni un incendiu.

Aparatul nu este destinat utilizării de către copiii mici sau persoanele cu dizabilități fără supraveghere.

Acest aparat poate fi folosit de către copiii cu vârsta de peste 8 ani și de către persoanele cu capacități fizice și mentale reduse sau cu lipsă de experiență sau cunoștințe dacă sunt

supravegheați sau li se acordă instruire cu privire la folosirea aparatului în siguranță și dacă înțeleg pericolele pe care le implică. Copiii nu trebuie să se joace cu aparatul. Mentenanța uzuală și curățarea nu se vor face de către copii fără supraveghere.

Acest aparat nu este destinat utilizării de către persoane (inclusiv copii) cu capacități fizice reduse, senzoriale sau mentale, sau lipsite de experiență și cunoștințe, cu excepția cazului în care acestea au fost supravegheate și instruite cu privire la utilizarea aparatului de către o persoană responsabilă pentru siguranța lor.

Copiii trebuie supravegheați pentru a vă asigura că nu se joacă cu aparatul.

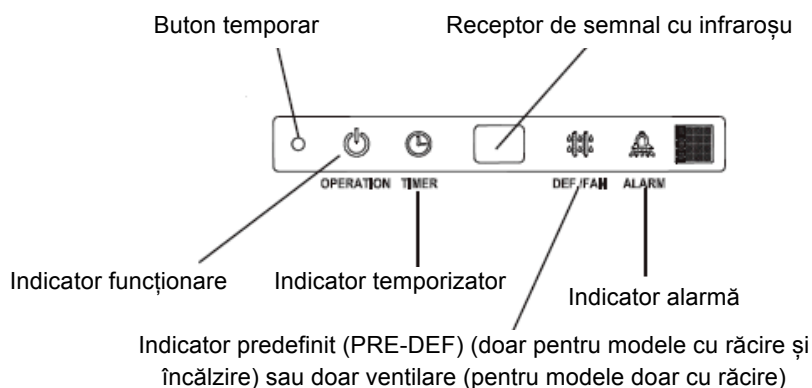
În cazul în care cablul de alimentare este deteriorat, acesta trebuie înlocuit de către producător, agentul de service sau persoane calificate, în scopul de a evita un pericol.

Nu puneți aparatul de aer condiționat în funcțiune într-o cameră cu umiditate mare de genul unei băi sau spălătorii.

2. DENUMIREA COMPONENTELOR

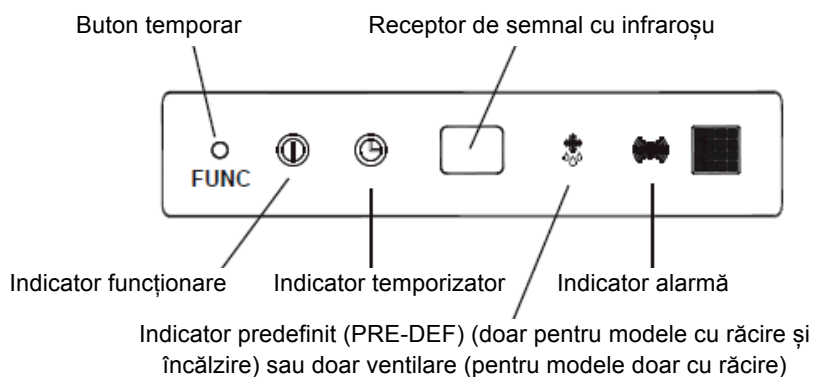
Aparatul de aer condiționat este compus din unitatea interioară, unitatea exterioară, conducta de legătură și telecomanda. (*Consultați Fig.2*)

■ Indicators de funcționare pe panoul de afișaj al unității interioare



Panou afișaj

Fig.2-1



Panou afișaj

Fig.2-2

Această funcție este utilizată pentru a opera temporar aparatul în cazul în care rătăciți telecomanda sau în cazul în care se termină bateriile. Pot fi selectate două module ce includ AUTOMAT (AUTO) și RĂCIRE FORȚATĂ (FORCED COOL) prin BUTONUL TEMPORAR de pe caseta de control a grilajului de admisie aer a unității interioare. Odată ce apăsați acest buton, aparatul de aer condiționat va funcționa în următoarea ordine: AUTOMAT (AUTO), RĂCIRE FORȚATĂ (FORCED COOL), OPRIRE (OFF) și înapoi la AUTOMAT (AUTO).

1. AUTOMAT (AUTO)

Indicatorul de FUNCȚIONARE este aprins iar aparatul de aer condiționat se va întoarce la modulul AUTOMAT. Funcționarea prin telecomandă poate fi activă conform cu semnalul primit.

2. RĂCIRE FORȚATĂ (FORCED COOL)

Indicatorul de FUNCȚIONARE se aprinde intermitent, aparatul de aer condiționat se va întoarce la modulul AUTOMAT (AUTO) după ce este forțat să răcească cu viteza de ventilare setată pe RIDICAT timp de 30 minute. Funcționarea prin telecomandă este dezactivată.

3. OPRIRE (OFF)

Indicatorul de FUNCȚIONARE se stinge. Aparatul de aer condiționat este OPRIT (OFF) în timp ce funcționarea prin telecomandă este permisă.



NOTĂ

Acest manual nu include funcționarea telecomenzii, vă rugăm consultați <<Manualul de Utilizare pentru Telecomandă>> ce vine împreună cu pachetul aparatului pentru detalii.

3. FUNCȚIONAREA ȘI PERFORMANȚA APARATULUI DE AER CONDIȚIONAT

Utilizați sistemul la următoarele temperaturi pentru o funcționare sigură și eficientă. Temperatura maximă de funcționare pentru aparatul de aer condiționat (Răcire/ Încălzire).

Tabelul 3-1

Temperatură Modul	Temperatură exterioară	Temperatură interioară
Funcționarea în modulul RĂCIRE (COOL)	0°C~50°C / 32°F~122°F	-17°C~32°C / 62°F~90°F
	-15°C~50°C / 5°F~122°F (pentru modele cu sisteme de răcire cu temperaturi joase)	
Funcționarea în modulul ÎNCĂLZIRE (HEAT) (cu excepția modelelor doar cu răcire)	-15°C~24°C / 5°F~76°F	0°C~30°C / 32°F~86°F
Funcționarea în modulul DEZUMIDIFICARE (DRY)	0°C~50°C / 32°F~122°F	17°C~32°C / 62°F~90°F



NOTĂ

1. Dacă aparatul de aer condiționat este utilizat în afara condițiilor de mai sus, acest lucru poate duce la funcționarea anormală a aparatului.
2. Este normal fenomenul privind condensul de pe suprafața aparatului de aer condiționat atunci când există umiditate relativă mai mare în cameră. Vă rugăm închideți ușa și ferestrele.
3. Performanța optimă va fi atinsă în aceste intervale de temperatură pentru funcționare.

■ Funcția de protecție de trei minute

O funcție de protecție previne aparatul de aer condiționat să repornească pentru aproximativ 3 minute atunci când repornește imediat după funcționare.

■ Funcția de repornire automată

- Penele de curent în timpul funcționării vor opri complet aparatul.
- Atunci când revine alimentarea cu electricitate, indicatorul de funcționare de pe unitatea interioară va începe să se aprindă intermitent. Pentru aparatele fără funcția de repornire automată, pentru a reporni funcționarea, apăsați butonul PORNIRE/ OPRIRE (ON/OFF) de pe telecomandă. Pentru aparatele cu funcție de repornire automată, atunci când revine alimentarea electrică, aparatul repornește automat cu toate setările anterioare păstrate de funcțiile de memorare.

■ Detectarea scurgerii agentului frigorific (opțională)

Cu această tehnologie nouă, ecranul va afișa 'EC' (dacă este cazul) iar indicatorul LED va continua să se aprindă intermitent atunci când unitatea exterioară detectează scurgeri de agent frigorific.

■ Funcția de memorare a unghiului flapsului (opțională)

Pentru unele modele, aparatul este special proiectat cu funcția de memorare a unghiului flapsului. Penele de curent în timpul funcționării sau apăsarea butonului PORNIRE / OPRIRE (ON/OFF) de pe telecomandă vor opri complet aparatul. Atunci când revine alimentarea cu energie electrică sau la o nouă apăsare a butonului PORNIRE/ OPRIRE (ON/OFF) de pe telecomandă, aparatul repornește automat cu setarea anterioară a unghiului orizontal al flapsului prin funcția de memorare. Astfel, vă recomandăm ca unghiul de deschidere al flapsului orizontal să nu fie setat prea mic, deoarece apa din condens se poate forma și cădea de pe flapsul orizontal. Apăsați butonul de control manual iar unghiul de deschidere al flapsului orizontal va reveni la unghiul standard.

4. SFATURI PENTRU O FUNCȚIONARE ECONOMICĂ

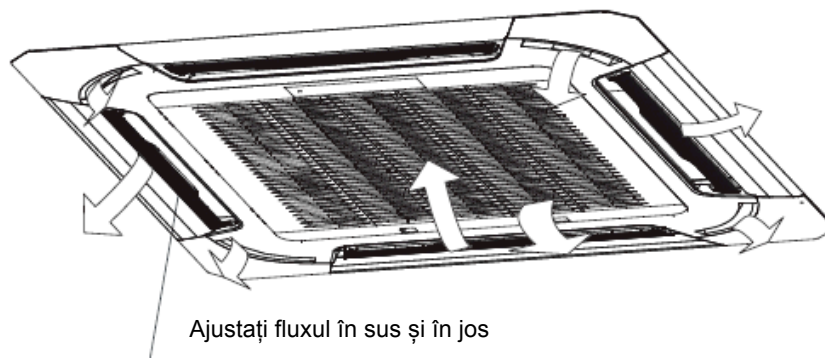
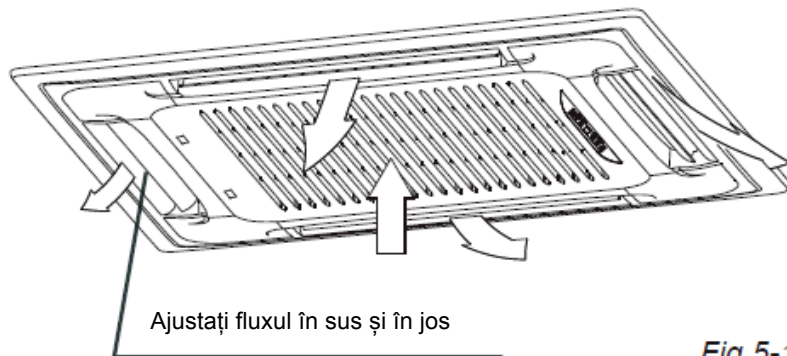
Trebuie respectate următoarele pentru a asigura o funcționare economică.

- Ajustați adecvat flapsul fluxului de aer și evitați fluxul de aer direct către ocupanții camerei.
- Ajustați adecvat temperatura din cameră pentru un mediu confortabil. Evitați răcirea sau încălzirea în exces.
- Preveniți lumina directă a soarelui în timpul operațiunii de răcire prin utilizarea draperiilor sau a jaluzelelor.
- Aerisiți des. O utilizare îndelungată necesită atenție specială acordată aerisirii.

- Țineți ușile și ferestrele închise. Dacă ușile și ferestrele rămân deschise, fluxul de aer va părăsi camera cauzând o scădere a efectului de răcire sau de încălzire.
- Nu amplasați obiecte în apropierea admisiei de aer și evacuării de aer ale aparatului. Acest lucru poate cauza scăderea efectului sau oprirea funcționării.
- Setați temporizatorul.
- Dacă planificați să nu utilizați un timp îndelungat aparatul, vă rugăm scoateți bateriile din telecomandă. Atunci când este pornit, va fi consumată ceva energie electrică, chiar dacă aparatul de aer condiționat nu este în funcțiune. Astfel, vă rugăm scoateți din priză pentru a economisi electricitate.
- Păstrați unitatea interioară și telecomanda la cel puțin 1 metru de orice televizoare, aparate de radio, aparate stereo sau alte echipamente asemănătoare. Nerespectarea acestei indicații va duce la imagini sau sunete cu interferențe statice sau distorsionări.
- Un filtru de aer murdar va reduce eficiența de răcire sau încălzire, așa că vă rugăm să îl curățați o dată la două săptămâni.

5. AJUSTAREA DIRECȚIEI FLUXULUI DE AER

În timp ce aparatul este în funcțiune, puteți ajusta flapsul de la fluxul de aer pentru a schimba direcția fluxului și să aduceți în mod natural temperatura din cameră la una constantă. Astfel, vă puteți bucura de această temperatură într-un mod mai confortabil.



- **Setați direcția fluxului de aer**

Apăsați butonul OSCILARE (SWING) pentru a ajusta flapsul la poziția dorită și apăsați din nou acest buton pentru a menține flapsul în această poziție

- **Ajustați automat direcția fluxului de aer**

Apăsați butonul OSCILARE (SWING), flapsul va oscila automat. În timp ce această funcție este setată, ventilatorul de oscilare al unității interioare va funcționa; în caz contrar, oscilarea nu va funcționa. Unghiul de oscilare al fiecărei părți este de 30°. Atunci când aparatul de aer condiționat nu este pornit (inclusiv atunci când este setat TEMPORIZATORUL PORNIRE (TIMER ON)), butonul de OSCILARE (SWING) nu va funcționa.

6. ÎNTREȚINEREA



ATENȚIE

Înainte de a curăța aparatul de aer condiționat asigurați-vă că alimentarea cu energie electrică este oprită.

Verificați dacă firele nu sunt rupte sau deconectate.

Utilizați o cârpă uscată pentru a șterge unitatea interioară dacă este foarte murdară.

Nu utilizați niciodată o cârpă umedă pentru telecomandă.

Nu utilizați o cârpă de praf tratată chimic pentru ștergere sau nu lăsați un astfel de material pe aparat perioade lungi de timp.

Poate dăuna sau decolora suprafața aparatului.

Nu utilizați benzină, diluant, praf de curățat sau solvenți similari pentru curățare.

Aceștia pot cauza crăpături sau deformarea suprafeței de plastic.

- **Întreținerea după o perioadă lungă de neutilizare**

(de ex. la începutul sezonului)

Verificați și îndepărtați orice poate bloca ventilarea de admisie sau evacuare ale unității interioare și unității exterioare.

Curățați filtrele de aer și capacele unității interioare.

Consultați secțiunea „Curățarea filtrului de aer” pentru detalii cu privire la modul de acționare și asigurare a instalării filtrelor de aer curate înapoi în poziția lor.

Porniți curentul cu cel puțin 12 ore înainte de funcționarea aparatului pentru a asigura o funcționare ușoară. De îndată ce aparatul este pornit, apare ecranul de afișaj al telecomenzii.

- **Întreținerea înainte de o perioadă lungă de neutilizare**

(de ex. la sfârșitul sezonului)

Lăsați unitatea interioară să funcționeze doar în modulul ventilare pentru aproximativ o jumătate de zi pentru a usca partea interioară a aparatului.

Curățați filtrele de aer și capacele unității interioare. Consultați secțiunea „Curățarea filtrului de

aer” pentru detalii cu privire la modul de acționare și asigurare a instalării filtrelor de aer curate înapoi în poziția lor.

■ Curățarea filtrului de aer

Filtrul de aer poate preveni ca praful și alte particule să pătrundă la interior. În cazul blocării filtrului, eficiența de funcționare a aparatului de aer condiționat poate să scadă mult.

Astfel, filtrul trebuie curățat o dată la două săptămâni pe timpul perioadelor lungi de utilizare.

Dacă aparatul de aer condiționat este instalat într-un loc cu mult praf, curățați frecvent filtrul de aer.

Dacă praful acumulat este prea dens pentru a fi curățat, înlocuiți filtrul de aer cu unul nou (filtrele de aer ce pot fi înlocuite reprezintă o funcție opțională).

Curățarea filtrului trebuie realizată de către un furnizor adecvat de servicii.

1. Deschideți grilajul de admisie aer

Împingeți butoanele grilajului spre mijloc în același timp după cum se indică în *Fig. 6-1*. Apoi trageți în jos grilajul de admisie aer.

Cablurile cutiei de control, care sunt inițial legate la terminalele mari ale corpului principal trebuie trase afară înainte de a face cele indicate mai sus.

2. Scoateți grilajul de admisie aer (împreună cu filtrul de aer după cum se vede în *Fig. 6-1*).

Scoateți grilajul admisiei de aer trăgând în jos la 45° și ridicați-l pentru a scoate grilajul.

3. Demontați filtrul de aer.

4. Curățați filtrul de aer

Se poate folosi aspiratorul sau apă curată pentru a curăța filtrul de aer. Dacă acumularea de praf este prea densă, vă rugăm folosiți o perie moale și detergent fin pentru a-l curăța și uscați-l la loc răcoros.

- Partea de admisie aer trebuie să fie cu fața în sus la utilizarea aspiratorului. (Consultați *Fig. 6-3*).
- Partea de admisie aer trebuie să fie cu fața în jos la utilizarea apei. (Consultați *Fig. 6-4*).



ATENȚIE

Nu uscați filtrul de aer în lumina directă a soarelui sau lângă foc.

5. Reinstalați filtrul de aer.

6. Instalați și închideți grilajul admisiei de aer în ordinea inversă a etapelor 1 și 2 și conectați cablurile cutiei de control la terminalele corespunzătoare de pe corpul principal al aparatului.

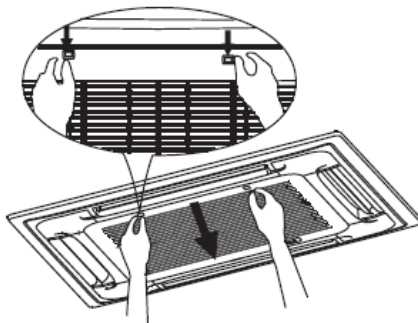


Fig. 6-1

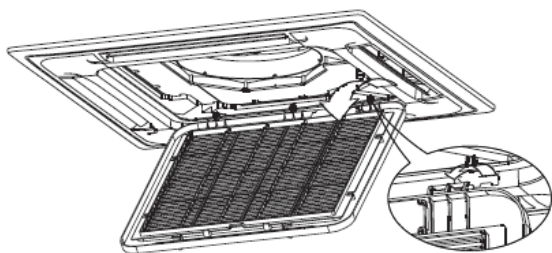


Fig.6-2

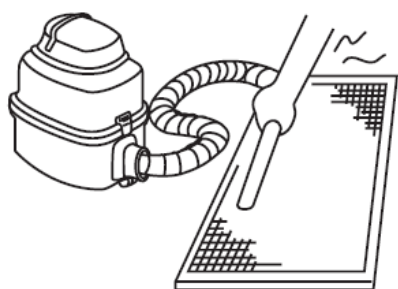


Fig.6-3

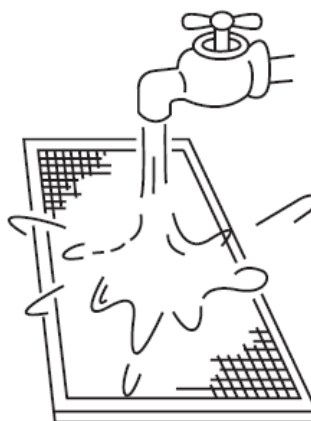


Fig.6-4

7. URMĂRIREA ERORILOR CARE NU SUNT DEFECȚIUNI ALE APARATULUI DE AER CONDIȚIONAT

Eroarea 1: Sistemul nu funcționează

- Aparatul de aer condiționat nu pornește imediat după ce este apăsat butonul PORNIRE / OPRIRE (ON/OFF) de pe telecomandă.
Dacă indicatorul de funcționare se aprinde, sistemul se află într-o situație normală. Pentru a preveni supraîncălzirea motorului compresorului, aparatul de aer condiționat începe la 3 minute după ce este pornit.
- Dacă indicatorul de funcționare și indicatorul predefinit „PRE-DEF” (la modelele cu răcire și încălzire) sau dacă indicatorul doar ventilare (la modelul doar cu răcire) se aprinde, aceasta înseamnă că ați ales modelul cu încălzire. La începutul funcționării, compresorul nu pornește, apare protecția „anti-aer rece” a unității interioare din cauza temperaturii scăzute a fluxului evacuat de aer.

Eroarea 2: Schimbarea în modulul ventilare în timpul modulului răcire

- Pentru a preveni înghețarea dispozitivului de evaporare interior, sistemul se va schimba în modulul ventilare automat și va reveni la modulul răcire după scurt timp.
- Atunci când scade temperatura camerei până la temperatura setată, compresorul se stinge și unitatea interioară se schimbă pe modulul ventilare; atunci când temperatura crește, compresorul pornește din nou. Același lucru se întâmplă în modulul încălzire.

Eroarea 3: O ceață albă iese din aparat

Eroarea 3.1: Unitatea interioară

Atunci când umiditatea este mare în timpul operațiunii de răcire și dacă interiorul unității interioare este foarte contaminat, distribuția temperaturii în interiorul camerei devine inegală. Este necesară curățarea interiorului unității interioare. Cereți vânzătorului dvs. mai multe detalii cu

privire la curățarea unității. Această operațiune necesită o persoană calificată de la service.

Eroarea 3.2: Unitatea interioară, unitatea exterioară

- Atunci când umiditatea este mare în timpul operațiunii de răcire și dacă interiorul unei unități interioare este foarte contaminat, distribuirea temperaturii în interiorul camerei devine inegală. Este necesară curățarea interiorului unității interioare. Cereți vânzătorului dvs. mai multe detalii cu privire la curățarea unității. Această operațiune necesită o persoană calificată de service.
- Atunci când sistemul se schimbă pe operațiunea de încălzire după operațiunea de degivrare, umezeala rezultată din degivrare se transformă în abur și este eliminat.

Eroarea 4: Zgomote în timpul răcirii aparatului de aer condiționat

Eroarea 4.1: Unitatea interioară

- Un sunet continuu de „răzuire” se aude atunci când sistemul se află în funcționarea pe răcire sau când se oprește.
Atunci când pompa de scurgere (accesoriu opțional) este în funcțiune, se aude acest zgomot.
- Un sunet de scârțâit de genul „puf-puf” se aude atunci când sistemul se oprește după funcționarea în încălzire.
Zgomotele sunt provocate de expansiunea și contractarea părților de plastic rezultate în urma schimbării de temperatură.

Eroarea 4.2: Unitatea interioară, unitatea exterioară

- Un zgomot continuu se șuierat se aude atunci când sistemul este în funcțiune.
Acesta este zgomotul agentului frigorific care curge atât prin unitatea interioară cât și prin unitatea exterioară.
- Un sunet de șuierat se aude la începerea sau imediat după oprirea funcționării sau a operațiunii de degivrare.
Acesta este sunetul agentului frigorific și este cauzat de oprirea curgerii sau schimbarea sensului de scurgere.

Eroarea 4.3: Unitatea exterioară

- Atunci când se schimbă tonul zgomotului de funcționare.
Zgomotul este cauzat de schimbarea frecvenței.

Eroarea 5: Iese praf din aparat

- Atunci când aparatul este utilizat pentru prima oară după un timp îndelungat.
Aceasta se întâmplă deoarece praful a pătruns în unitate.

Eroarea 6: Aparatul poate emana mirosuri

- Aparatul poate să absoarbă mirosul camerei, mobilei, de țigări, etc. și apoi să îl emane.

Eroarea 7: Ventilatorul unității exterioare nu se învâрте

- În timpul funcționării. Viteza ventilatorului este controlată pentru a optimiza funcționarea aparatului.

8. DEPANAREA

8.1 Defecțiuni și cauze ale aparatului de aer condiționat

Dacă una din următoarele defecțiuni are loc, opriți funcționarea, opriți alimentarea cu electricitate și contactați vânzătorul dvs. local.

- Indicatorul de funcționare se aprinde intermitent și rapid (5Hz).
Acest indicator încă se aprinde intermitent rapid după oprirea funcționării și repornirea aparatului (Consultați tabelul 8-1).
- Telecomanda nu primește semnal sau butoanele nu funcționează bine.
- Un dispozitiv de siguranță de genul unei siguranțe sau a unui întrerupător este declanșat frecvent.
- Obiecte sau apă pătrund în aparat.
- Se scurge apă din unitatea interioară.
- Alte defecțiuni.

Dacă sistemul nu funcționează adecvat cu excepția cauzelor de mai sus sau defecțiunile de mai sus sunt evidente, analizați sistemul conform cu următoarele proceduri. (Consultați tabelul 8-2).

8.2 Defecțiuni și cauze ale telecomenzii

Înainte de a cere ajutorul centrului de service sau reparare, verificați următoarele puncte. (Consultați tabelul 8-3).

Tabelul 8-1

Nr.	Defecțiune	Afișaj (tub nixă)	Indicator temporizator	Indicator funcționare (aprinderi pe secundă)
1	Eroare EEPROM unitate interioară	E0	OPRIT	1
2	Defecțiune comunicare între unitatea interioară și unitatea exterioară	E1	OPRIT	2
3	Defecțiune viteză ventilator unitate interioară	E3	OPRIT	4
4	Circuit întrerupt sau scurtcircuit senzor temperatură al unității interioare	E4	OPRIT	5
5	Circuit întrerupt sau scurtcircuit senzor temperatură bobină dispozitiv de evaporare	E5	OPRIT	6
6	Defecțiune detector scurgere agent frigorific	EC	OPRIT	7
7	Defecțiune alarmă nivel apă	EE	OPRIT	8
8	Defecțiune comunicare între două unități interioare (pentru modelele cu două unități interioare)	E8	OPRIT	9
9	Alte defecțiuni ale modelelor cu două unități interioare	E9	OPRIT	10
10	Protecția la supraîncărcarea electrică	F0	PORNIT	1
11	Circuit întrerupt sau scurtcircuit senzor temperatură extern	F1	PORNIT	2
12	Eroare senzor temperatură conductă externă de condensare	F2	PORNIT	3
13	Eroare senzor temperatură aer evacuat	F3	PORNIT	4
14	Eroare EEPROM unitate exterioară	F4	PORNIT	5
15	Defecțiune viteză ventilator unitate exterioară (doar pentru motorul de ventilare tip DC)	F5	PORNIT	6
16	Eroare senzor T2b	F6	PORNIT	7
17	Canalul de verificare al comunicării panoului de ridicare este anormal	F7	PORNIT	8
18	Defectarea panoului de ridicare	F8	PORNIT	9
19	Panoul de ridicare nu este închis	F9	PORNIT	10
20	Protecție modul inverter IPM	P0	Intermitent	1
21	Protecție la tensiune ridicată / scăzută	P1	Intermitent	2
22	Protecție la temperatură ridicată a capătului compresorului	P2	Intermitent	3
23	Protecție la temperatură mică externă	P3	Intermitent	4
24	Eroare acționare compresor	P4	Intermitent	5
25	Conflict de module	P5	Intermitent	6

Tabelul 8-2

Erori	Cauze	Soluție
Aparatul nu pornește	<ul style="list-style-type: none"> • Pană de curent. • Comutatorul electric este oprit. • Siguranța sau comutatorul pot fi arse. • Bateriile telecomenzii sunt terminate sau există altă problemă cu controlorul. 	<ul style="list-style-type: none"> • Așteptați revenirea curentului. • Porniți comutatorul. • Înlocuiți siguranța. • Înlocuiți bateriile sau verificați controlorul.
Fluxul de aer este normal dar răcirea nu este completă	<ul style="list-style-type: none"> • Temperatura nu este setată corect. • Este posibil să fie în timpul celor 3 minute de protecție a compresorului. 	<ul style="list-style-type: none"> • Setati corect temperatura. • Așteptați.
Aparatul pornește și se oprește des	<ul style="list-style-type: none"> • Agentul frigorific este prea mult sau prea puțin. • Nu mai este aer sau gaz de întărire în circuitul de agent frigorific. • Compresorul este defect. • Voltajul este prea ridicat sau prea scăzut. • Circuitul sistemului este blocat. 	<ul style="list-style-type: none"> • Verificați scurgerile și reîncărcați adecvat agentul frigorific. • Aspirați și încărcați agentul frigorific. • Realizați mentenanța sau schimbați compresorul. • Instalați manostatul
Efect scăzut de răcire	<ul style="list-style-type: none"> • Schimbătorul de căldură al unității interioare și unității exterioare este murdar. • Filtrul de aer este murdar. • Admisia / evacuarea unității interioare / unității exterioare sunt blocate. • Ușile și ferestrele sunt deschise. • Lumina soarelui bate direct. • Prea multe surse de căldură. • Temperatura exterioară este prea mare. • Scurgerea agentului frigorific sau lipsa agentului frigorific. 	<ul style="list-style-type: none"> • Găsiți cauzele și soluțiile. • Curățați schimbătorul de căldură. • Curățați filtrul de aer. • Eliminați toate impuritățile și fluidizați fluxul de aer. • Închideți ușile și ferestrele. • Instalați draperii pentru a vă proteja de lumina solară. • Reduceți sursele de căldură. • Capacitatea de răcire a aerului condiționat scade (normal).
Efect scăzut de încălzire	<ul style="list-style-type: none"> • Temperatura externă este mai mică de 7°C. • Ușile și ferestrele nu sunt închise complet. • Scurgerea agentului frigorific sau lipsa agentului frigorific. 	<ul style="list-style-type: none"> • Verificați scurgerile și reîncărcați adecvat agentul frigorific. • Utilizați un dispozitiv de încălzire. • Închideți ușile și ferestrele. • Verificați scurgerile și încărcați adecvat agentul frigorific.

Tabelul 8-3

Erori	Cauze	Soluție
Viteza de ventilare nu poate fi schimbată.	<ul style="list-style-type: none"> • Verificați dacă modulul indicat pe ecran este „AUTOMAT (AUTO)” 	Atunci când modulul automat este selectat, aparatul de aer condiționat va schimba automat viteza de ventilare.
	<ul style="list-style-type: none"> • Verificați dacă modulul indicat pe ecran este „DEZUMIDIFICARE (DRY)” 	Atunci când se alege operațiunea de dezumidificare, aparatul de aer condiționat schimbă automat viteza de ventilare. Viteza de ventilare poate fi aleasă în timpul modulelor „RĂCIRE (COOL)”, „DOAR VENTILARE (FAN ONLY)” și „ÎNCĂLZIRE (HEAT)”.
Semnalul telecomenzii nu este transmis chiar și atunci când butonul PORNIT/ OPRIT (ON/OFF) este apăsat.	<ul style="list-style-type: none"> • Verificați dacă bateriile din telecomandă sunt descărcate. 	Alimentarea cu electricitate este oprită.
Indicatorul de TEMPERATURĂ (TEMP) nu se aprinde	<ul style="list-style-type: none"> • Verificați dacă modulul indicat pe ecran este DOAR VENTILARE (FAN ONLY) 	Temperatura nu poate fi setată în timpul modulului VENTILARE (FAN).
Indicatoarele de pe ecran dispar după scurgerea timpului	<ul style="list-style-type: none"> • Verificați dacă funcționarea temporizatorului a ajuns la final atunci când este indicat pe ecran TEMPORIZATOR OPRIT (TIMER OFF). 	Funcționarea aparatului de aer condiționat se va opri la timpul setat.
Indicatorul TEMPORIZATOR PORNIT (TIMER ON) se stinge după scurgerea unui anumit interval de timp.	<ul style="list-style-type: none"> • Verificați dacă funcționarea temporizatorului a început atunci când este indicat pe ecran TEMPORIZATOR PORNIT (TIMER ON). 	Până la timpul setat, aparatul de aer condiționat va începe automat iar indicatorul aferent se va stinge.
Nu se aude niciun semnal de primire de la unitatea interioară chiar și atunci când este apăsat butonul PORNIRE / OPRIRE (ON/OFF).	<ul style="list-style-type: none"> • Verificați dacă semnalul de transmitere al telecomenzii este îndreptat adecvat către receptorul de semnal cu infraroșu de pe unitatea interioară atunci când se apasă butonul PORNIRE/ OPRIRE (ON/OFF). 	Îndreptați direct emițătorul de semnal al telecomenzii către receptorul de semnal de pe unitatea interioară, iar apoi apăsați butonul PORNIRE/ OPRIRE (ON/OFF) de două ori.

Activati-va garantia...

in **5**
Pasi
simpli!



Scanati codul QR pentru
a obtine formularul de garantie.

- 1** Accesati link-ul de mai jos:
<https://www.inventoraerconditionat.ro/certificatul-de-garantie-inventor-aer-conditionat-si-electrocasnice>
- 2** Alegeti tipul de produs pentru care vreti sa activati garantia (aparat de aer conditionat, alt aparat electrocasnic).
- 3** Alegeti tipul de garantie corespunzator produsului achizitionat.
- 4** Completati formularul cu informatiile cerute (numele proprietarului, magazinul, produsul) si apasati SEND.
- 5** Veti primi care va confirma activarea garantiei.

Pentru inregistrarea
electronicaa garantiei, va rugam sa
accesati link-ul de mai jos :

<https://www.inventoraerconditionat.ro/certificatul-de-garantie-inventor-aer-conditionat-si-electrocasnice>



AIR CONDITIONING SYSTEMS

CASSETTE TYPE



Scan here to download the latest version of this manual.
Σαρώστε εδώ για να κατεβάσετε την τελευταία έκδοση του εγχειριδίου.

